

Flow Measurement

SITRANS F C

Flow sensor SITRANS FCS200

Overview



SITRANS FCS200 (DN10, DN 15 and DN 25) is a Coriolis sensor specialized for accurate mass flow measurement of gases.

The sensor offers superior performance in terms of flow accuracy and turn down ratio. The ultra compact sensor design makes installation, replacement and commissioning very straight forward and easy.

Benefits

- High accuracy gas measurement
- Approved for use in hazardous area
- DN 10 and DN 15 is custody transfer approved, according to OIML R 139 (Compressed gaseous fuel measuring systems for vehicles). For custody transfer applications SIFLOW FC070 Ex CT must be used.
- Self-draining in vertical orientation
- Pt1000 temperature measurement for optimum accuracy
- SENSORPROM enabling true "plug & play"
- Rigid enclosure design reducing influence from pipeline vibration and thermal stress
- High-pressure measurement up to 350 bar (5076 psi)
- Ultra compact sensor design with space-saving split flow

Application

SITRANS FCS200 is designed for measurement of gases and is suitable for use in the oil and gas industry:

- Filling of gas bottles
- CNG dispensers
- Metering of general gas applications

Design

SITRANS FCS200 is available in DN 10, DN 15 and DN 25.

The sensor consists of 2 parallel measuring pipes, welded directly onto a flow splitter at each end of the sensor to eliminate a direct coupling to the process connectors and significantly reduce effects from external vibrations. The flow-splitters are welded directly onto a rigid sensor housing which acts as a mechanical low pass filter.

The SITRANS FCS200 DN 10 and DN 15 wetted parts material is Hastelloy C22, and the DN 25 wetted parts material is AISI 316Ti/1.4571. The enclosure is made of stainless steel AISI 304/1.4301 with a grade of encapsulation of IP67.

The two black rupture discs are designed to protect the enclosure from overpressure.

Function

The flow measuring principle is based on the Coriolis effect. See "System information SITRANS F C".

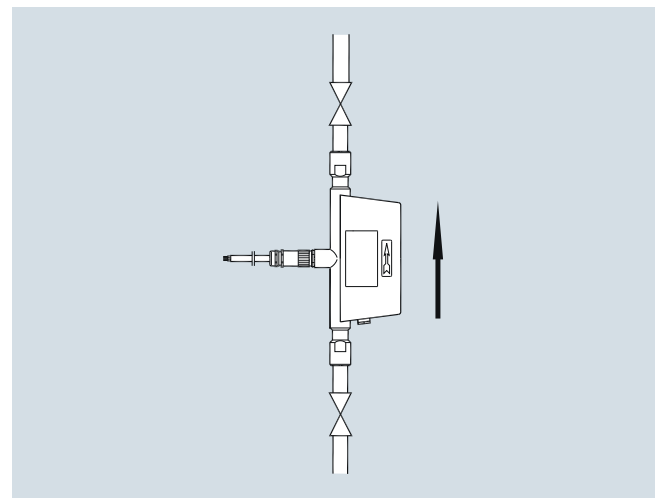
Integration

The complete flowmeter consists of the sensor (SITRANS FCS200) and a transmitter SITRANS F C MASS 6000 or SIFLOW FC070. All communication options are available for MASS 6000.

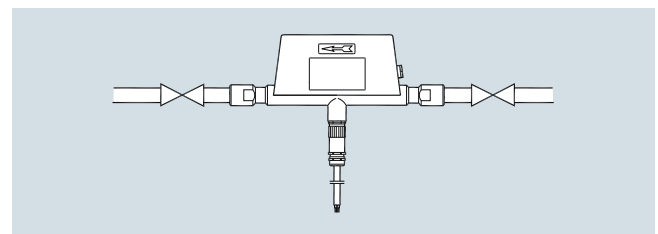
The sensor is shipped with a SENSORPROM memory unit containing all information about calibration data, device identity and factory pre-programming of transmitter settings.

Installation guidelines

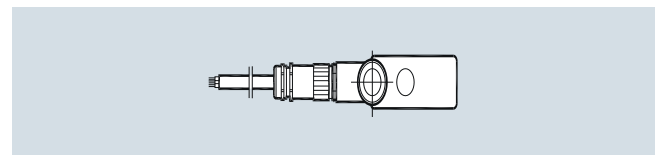
Siemens Flow Instruments recommends installing the sensor in one of the following ways:



Vertical orientation with an upwards flow



Horizontal installation, tubes up



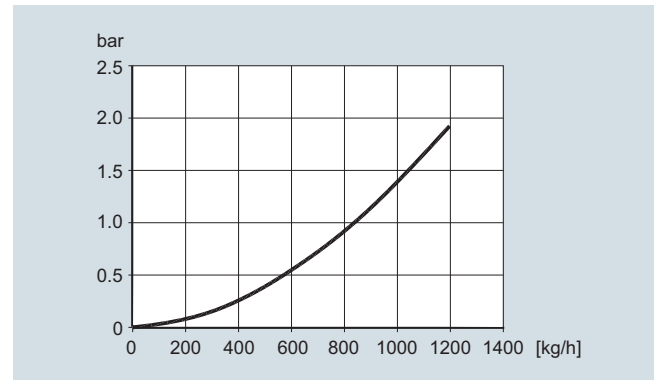
Horizontal installation, tubes sideways

Technical specifications

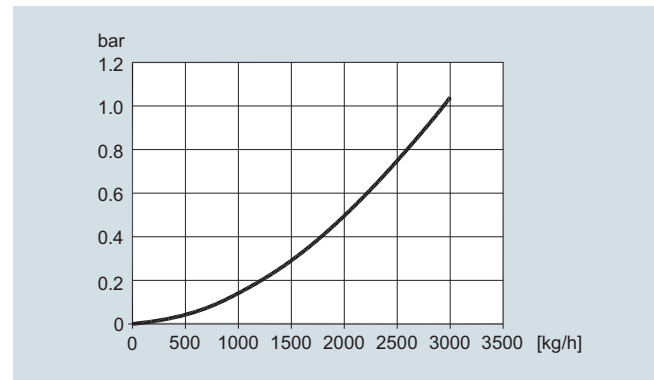
Sensor size	DN 10	DN 15	DN 25
Mass Flow			
Accuracy [% of rate]		± 0.5	
Repeatability [% of rate]		± 0.25	
Max. zero point error [kg/h (lb/h)]	0.25 (0.55)	1.2 (2.65)	3.0 (6.6)
Measuring range [kg/min (lb/min)]	0 ... 42 (0 ... 92.6)	0 ... 200 (0 ... 440.9)	0 ... 500 (0 ... 1102.3)
Process temperature	-40 ... +125 °C (-40 ... +257 °F)		
Ambient temperature	-40 ... +60 °C (-40 ... +140 °F)		
Temperature error	0.5 °C (0.9 °F)		
Pressure [bar (psi)]	350 (5076)	350 (5076)	214 (3104)
Enclosure grade	IP66/IP67 (EN 60529)		
Material			
Measuring pipe	Hastelloy C22/2.4602	Hastelloy C22/2.4602	Stainless steel AISI 316L/1.4571
Splitter	Hastelloy C22/2.4602	Stainless steel AISI 316L/1.4571	Stainless steel AISI 316L/1.4571
Enclosure and connection (flanges)	Stainless steel		
Connection thread	¼" NPT ½" NPT ½" VCO	½" NPT ¾" NPT 1" NPT ¾" VCO	1" NPT 1½" NPT 1" VCO
Ex approval	<ul style="list-style-type: none"> • ATEX II 1/2 G Ex ia IIC T5/T4 Ga/Gb • IECEx Ex ia IIC T5/T4 Ga/Gb • FM Class I, Div 1, Groups A, B, C and D 		
Weight approx.	2.8 kg (6.2 lb)	6.0 kg (13.2 lb)	11 kg (24.2 lb)
Approvals Custody transfer			
DN 10/DN 15	PTB Germany approval nr: 5.4.11/11.22 OIML R 139 - Compressed gaseous fuel measuring systems for vehicles		

Characteristic curves

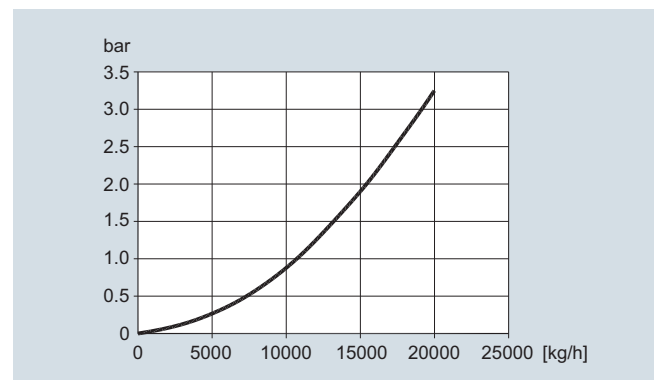
DN 10



DN 15



DN 25



The pressure drop as a function of capacity for CNG with a pressure of 200 bar (2900 psi) and an ambient temperature of 20 °C (68 °F).

Flow Measurement

SITRANS F C

Flow sensor SITRANS FCS200

Selection and Ordering data	Article No.
SITRANS F C Flow sensors	
SITRANS FCS200 sensor, without heating jacket	7 ME 4 5 0 0 -
Sensor size and material	
DN 10, Hastelloy C22/2.4602	2 D
DN 15, Hastelloy C22/2.4602	2 E
DN 25, Stainless steel AISI 316Ti/1.4571	1 F
Pressure	
PN 214 (DN 25)	K
PN 350 (DN 10 and DN 15)	N
Process connection/flange	
½" VCO	7 1
¾" VCO	7 2
1" VCO	7 3
¼"/NPT pipe thread	8 1
½"/NPT pipe thread	8 2
¾"/NPT pipe thread	8 3
1"/NPT pipe thread	8 4
1½"/NPT pipe thread	8 5
Configuration	
Standard	1
Transmitter	
None	A
Cable	
No cable	A
Calibration	
Standard calibration	1

Operating instructions for SITRANS FCS200

Description	Article No.
• English	A5E02508199
• German	A5E03082574
• Spanish	A5E03082587
• French	A5E03082581
• Italian	A5E03504933

Spare parts

Description	Article No.
Multiple plug for cable mounting	FDK:083H5056
2 kB SENSORPROM unit (Sensor Serial No. and Article No. must be specified by ordering)	FDK:083H4410

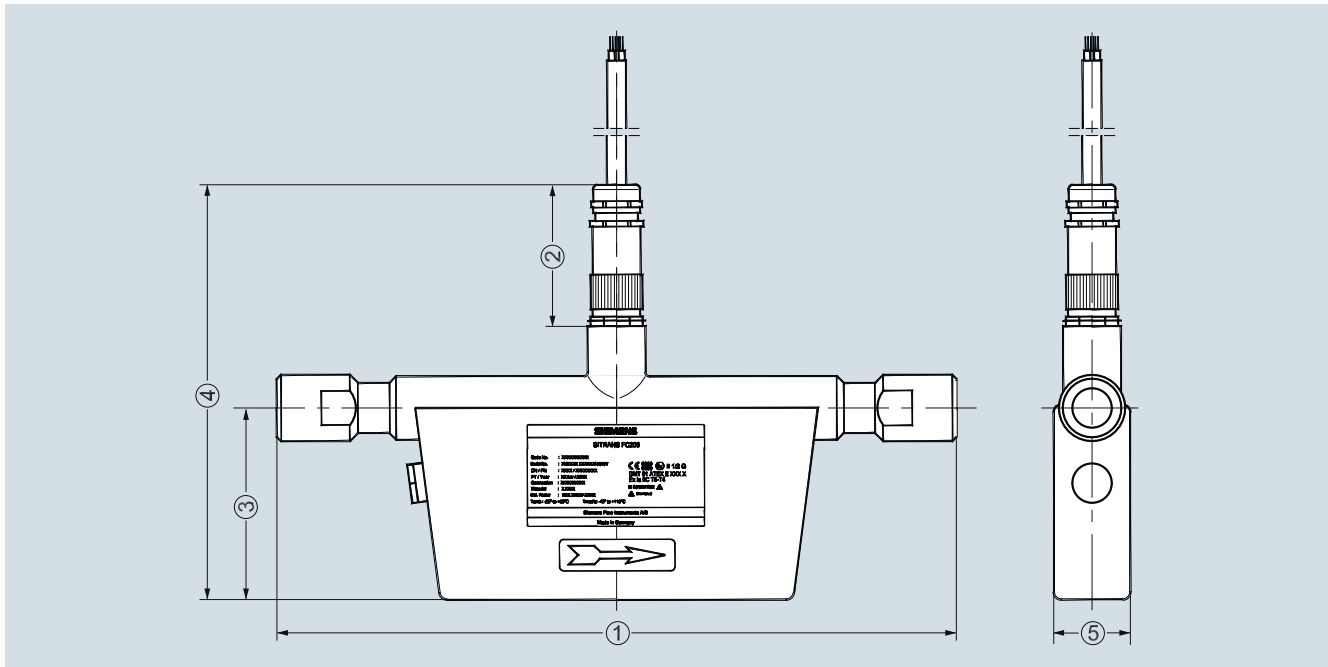
Selection and Ordering data	Order code
Additional information	
Please add "-Z" to Article No. and specify Order code(s) and plain text.	
Pressure testing certificate PED: 97/23/EC	C11
Material certificate EN 10204-3.1	C12
NDT-Penetrant inspection report ISO 3452	C13
Factory certificate according to EN 10204 2.2	C14
Factory certificate according to EN 10204 2.1	C15
Tag name plate, stainless steel	Y17

Accessories

Description	Article No.
Cable with multiple plug	
5 m (16.4 ft)	FDK:083H3015
Standard blue cable between SIFLOW FC070/MASS 6000 and FCS200,	10 m (32.8 ft) FDK:083H3016
5 x 2 x 0.34 mm ² twisted and screened in pairs.	25 m (82 ft) FDK:083H3017
Temperature range -20 °C ... +110 °C (-4 °F ... +230 °F)	50 m (164 ft) FDK:083H3018
	75 m (246 ft) FDK:083H3054
	150 m (492 ft) FDK:083H3055

Dimensional drawings

SITRANS FCS200, DN 10 ... DN 15



SITRANS FCS200, DN 10 ... DN 15, dimensions in mm (inch)

Position	DN 10 with NPT connectors mm (inch)	DN 10 with VCO connectors mm (inch)	DN 15 mm (inch)
(1)	350 (13.78)	330 (12.99)	450 (17.72)
(2)	72 (2.84)	72 (2.84)	72 (2.84)
(3)	100 (3.94)	100 (3.94)	148 (5.83)
(4)	204 (8.03)	204 (8.03)	253 (9.96)
(5)	40 (1.57)	40 (1.57)	48 (1.89)

Flow Measurement

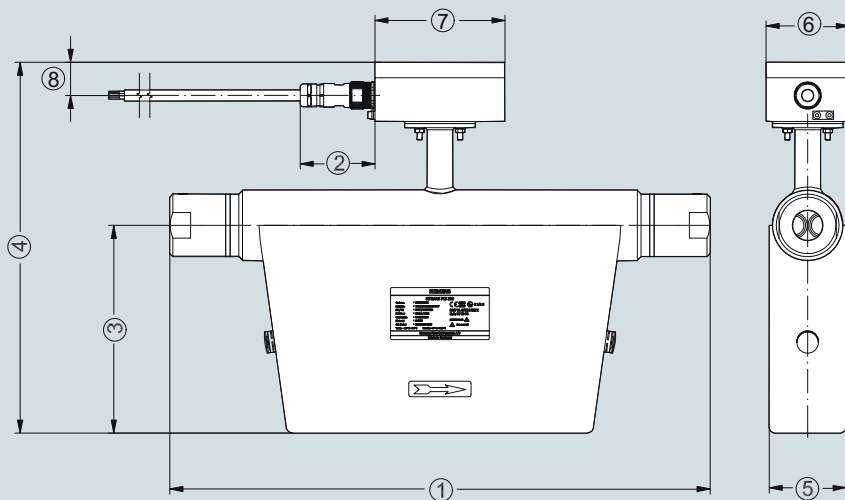
SITRANS F C

Flow sensor SITRANS FCS200

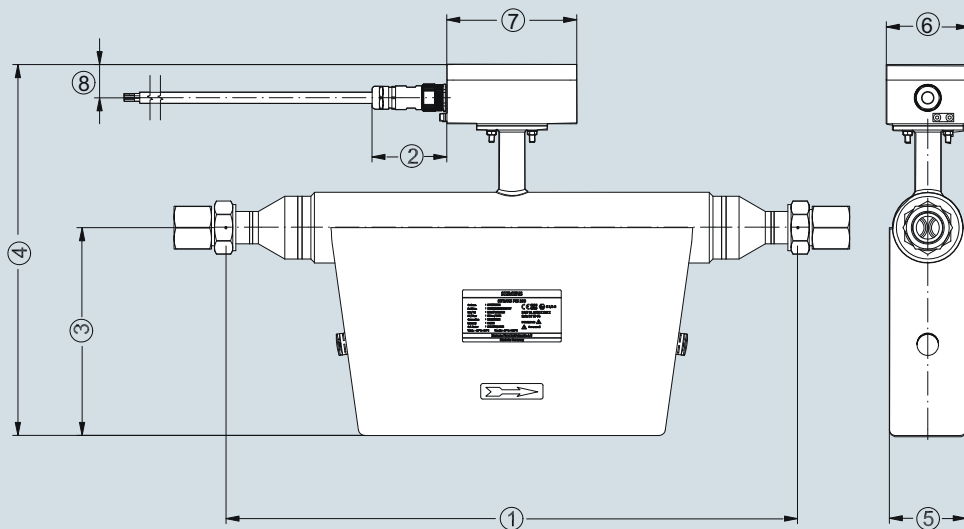
SITRANS FCS200, DN 25

3

DN 25 - NPT



DN 25 - VCO



SITRANS FCS200, DN 25, dimensions in mm (inch)

Position	DN 25 with NPT connection mm (inch)	DN 25 with VCO connection mm (inch)
(1)	520 (20.47)	550 (21.65)
(2)	72 (2.84)	72 (2.84)
(3)	200 (7.87)	200 (7.87)
(4)	357 (14.77)	357 (14.77)
(5)	74 (2.91)	74 (2.91)
(6)	80 (3.15)	80 (3.15)
(7)	125 (4.92)	125 (4.92)
(8)	32 (1.26)	32 (1.26)