

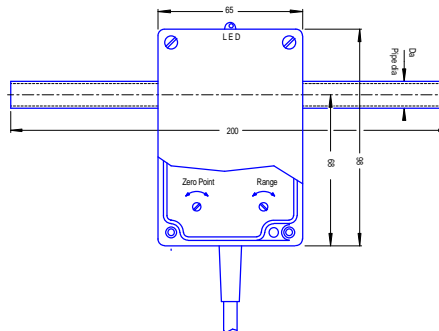
# TECHNICAL INFORMATION



## Inline vent-captor Typ 3302.30

The inline vent-captor type 3302.30 is a compact air flow meter for industrial applications, ideal for small diameters. The measurement of the mass flow bases on the calorimetric principle. The inline vent-captor is completely resin encapsulated, thus rugged, shock and vibration proof.

- Small pipe diameters
- Ideally suited to small flow volume
- Temperature compensated
- Compact, no additional parts
- Linear current output 4 -20 mA
- LED - output display
- Rugged industrial version
- **ISO 9002** certified manufacturing
- **CE** approval



Pipe dimensions in mm  
8x1, 12x1, 18x1,5  
Housing dimensions in mm  
**for 8x1, 12x1:**  
64x98x38 WxHxD  
**for 18x1,5, 22x1,5, 28x1,5:**  
80x120x55 WxHxD

### Sensor Data

Measuring range	0 - 5 m/s	0 - 10 m/s	0 - 20 m/s	0 - 30 m/s
Measuring range adjustment	continually adjustable from 20 % to 100 % of the special measuring range 2 potentiometers ( zero point, range )			
Linearity deviation	< 5 % ( best fitting slope )			
Repeatability tolerance	< 3%			
Temperature drift	< 0,3 % / K			
Medium	gaseous, all data related to air at normal pressure (1 atm <sub>abs</sub> )			
Medium temperature	-20 °C to +70°C			
Ambient temperature	-20 °C to +70°C			
Protection class	IP 65			
Pressure	10 bar			
Electrical connection	moulded oilflex cable, 3 x 0,5 mm <sup>2</sup> , length 2 m			

### Mechanical Data

Material	<b>Inline - sensor pipe</b> stainless steel WN 1.4571 V4A	<b>Sensor probe</b> ceramic, platinum with overglaze	<b>Housing</b> Makrolon®
Dimensions in mm	8 x 1 12 x 1 18 x 1,5 22x1,5 28x1,5 ( diameter x wall thickness )		
Torsion between pipe and housing or ends of flow-captor pipe during mounting	≤ 10 Nm to ≤ 40 °C ambient temperature		

### Electrical Data

Operating voltage	24 VDC ± 15%
Current consumption	approx. 4.3W - 5,3 W ( max. flow )
Output current	4 - 20 mA
Load	0 - 600 Ohm

### Order description

Unit type	(1) Pipe diameter*					(2) Measuring range			
	8x1	12x1	18x1,5	22x1,5	28x1,5	5 m/s	10 m/s	20 m/s	30 m/s
3302.30/ (1) / (2)	/ 8	/ 12	/ 18	/ 22	/ 28	5	10	20	30

z.B.: 3302.30 / 8 / 10

Supplied By

**Frontline Controls**

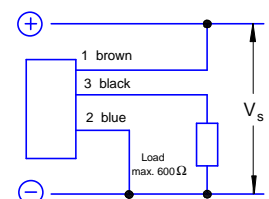
Tel: 087 550 0522 Fax: 086 608 2659

e-mail: [sales@frontline.co.za](mailto:sales@frontline.co.za)

**weber**

Member of the captor Group

### Connection diagram



REV: AE / 06.05.04  
sgd.: Wip./dw / Wil

Page 1 / 1