

Level Measurement

Continuous level measurement – Ultrasonic controllers

SITRANS LU AO

Overview



The SITRANS LU AO Analog Output Module provides remote analog output for the measurement points of the SITRANS LU10 level monitor.

Benefits

- Analog outputs can be up to 1 500 m (5 000 ft) from the SITRANS LU 10
- Analog outputs can be per transducer and/or average of 2 or more

Application

The operation of the SITRANS LU AO is programmed via the SITRANS LU10. The only on-board settings are for bank selection and output testing.

The SITRANS LU AO can provide up to 10 analog outputs (each sharing a common negative bus which is electrically isolated from ground).

Technical specifications

Mode of operation	
Input	
Communications	Data from SITRANS LU10
Transmission rate	4 800 bits/s
Voltage	± 20 mA bipolar current loop
Polarization	Non-polarized
Max. load	1 receiving unit
Output	
Analog outputs	10 analog outputs, programmable from SITRANS LU10
	0 or 4 ... 20 mA, isolated
± 20 mA bipolar current loop	Input and transmission
• Max. load	750 Ω
• Resolution	0.1 %
Rated operating conditions	
Ambient conditions	
Ambient temperature for enclosure	-20 ... +50 °C (-5 ... +122 °F)
Location	Indoor/outdoor
Installation category	II
Pollution degree	4
Design	
Weight	2 kg (4.4 lb)
Material (enclosure)	Polycarbonate
Degree of protection	Type 4X/NEMA 4X/IP65
Cable connection	2 copper conductors, twisted, with foil shield/drain wire, 300 V 0.5 ... 0.75 mm ² (22 ... 18 AWG)
Electrical connection and relay connection	Copper conductor according to local requirements, rated 250 V 5 A
Power supply	100/115/200/230 V AC ± 15 %, 50/60 Hz, 15 VA
Displays and controls	1 LED for display of voltage/communications state
Certificates and approvals	CE, FM, CSA _{US/IC} , C-TICK

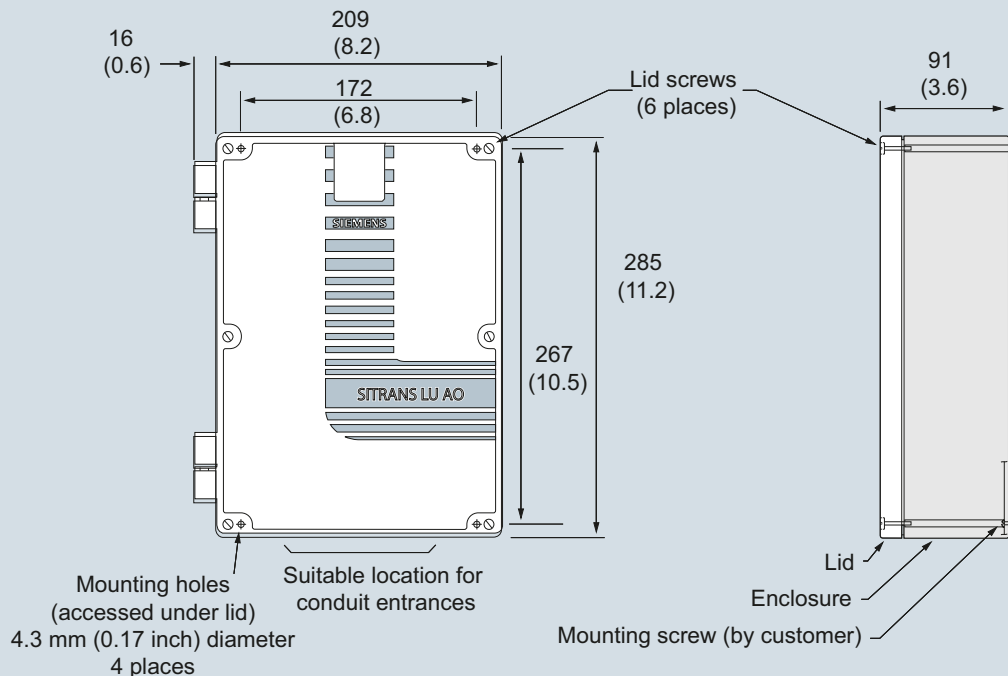
Selection and Ordering data	Article No.
SITRANS LU AO Provides remote analog output for the measurement points of the SITRANS LU10 level monitor. Approvals: CSA _{US/IC} , FM, CE, C-TICK	7ML5810-1A
Operating Instructions	
English	7ML1998-5CE01
German	7ML1998-5CE31
Note: Operating Instructions should be ordered as a separate line item on the order.	
This device is shipped with the Siemens Milltronics manual DVD containing the Quick Start and Operating Instructions library.	
Accessories	
Sun Shield, 304 stainless steel	7ML1930-1GA

Level Measurement

Continuous level measurement – Ultrasonic controllers

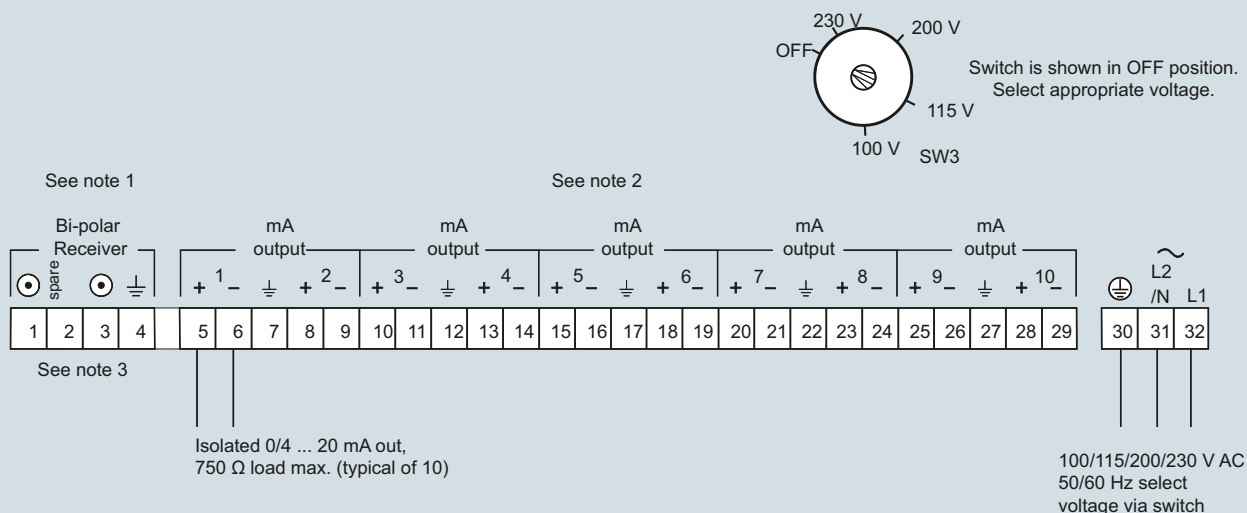
SITRANS LU AO

Dimensional drawings



SITRANS LU AO, dimensions in mm (inch)

Schematics



Notes:

1. SITRANS LU AO receiver input is non-polarized.
2. Refer to associated application device instruction manual for wiring detail. Check that the communication parameter P740 (SITRANS LU10) is ON.
3. SITRANS LU AO interconnecting cable shield should be grounded at SITRANS LU10 only. Insulate shields at junctions to prevent inadvertent grounding. Maximum individual loop length is 3 000 m (10 000 ft).

SITRANS LU AO connections