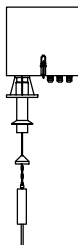


Table of contents

| | Page |
|-------------------------|------|
| Dimensions | P2 |
| Selection / Option | P3 |
| ----- | |
| Spare parts | P4 |
| ----- | |
| Electrical installation | P5 |



Subject to technical and price change. Prices are valid from 01.04.2014 until 31.03.2015 unless otherwise agreed.

All dimensions in mm (inches). By publishing this selection list all other lists become invalid.

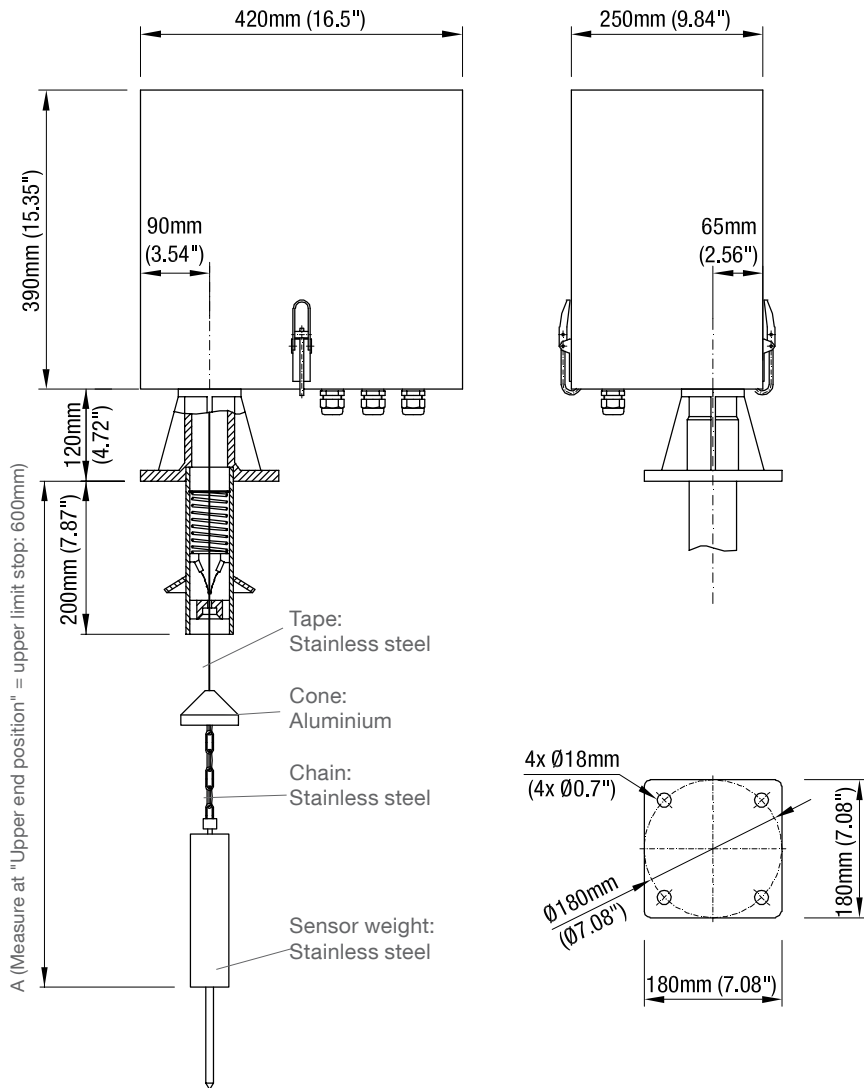
All prices are EXW Betzigau, excl. packaging costs and VAT. Different variations to those specified are possible. Please contact our technical consultants.

We assume no liability for typing errors.

Dimensions

Electromechanical measuring system for bulk goods

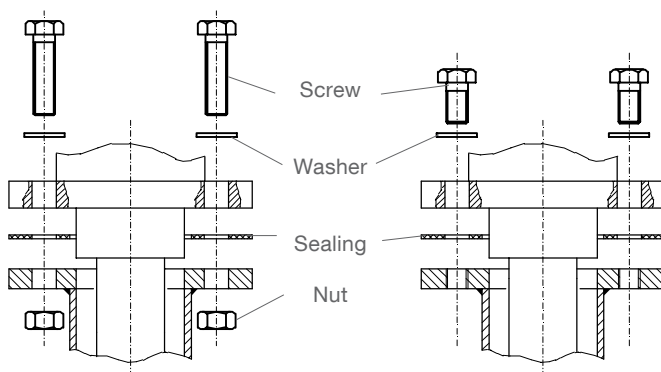
Protection class IP54, low maintenance, easy to service.



pos. 21
Mounting set Ø18

pos. 22
Mounting set M16

pos. 23
Weather protection cover
 (Aluminium)



Selection / Options

Selection

Basic type SLB 300

Delivery time
on request

- pos. 2 **Power supply**
 2 3x400V + N, 50-60 Hz ⁽¹⁾
- pos. 3 **Evaluation**
 B current signal 0/4-20mA analogue (volume specific) and
 digital counting pulse output (volume specific)
- pos. 4 **Sensor weight**
 1 stainless steel (standard)
- 2 folding cover / canvas
- (others on request)
- pos. 5 **Measuring range**
 A max. 30m
- B max. 50m
- C max. 70m
- pos. 6 **Software language**
 D German
- E English
- F French

| | | | | | | |
|------------|----------|---|----------|---|---|---|
| SLB | B | | B | | | |
| Position | 1 | 2 | 3 | 4 | 5 | 6 |

← **Order code**

All positions are available in special design (use code "Z").

⁽¹⁾ other voltages on request

Optionen

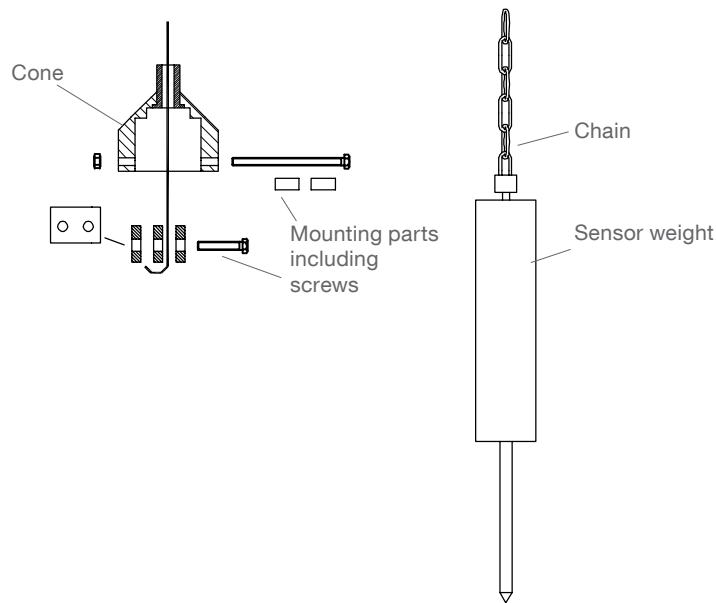
- pos. 21 **Mounting set ø18 (for opposite flange with hole ø18)**
- (for opposite flange with hole ø18)
 4 pieces screw M16x60 A2
 4 pieces nut M16 A2
 4 pieces washer A2
 1 piece sealing, max. 125°C
- pos. 22 **Mounting set M16 (for opposite flange with thread M16)**
- 4 pieces screw M16x30 A2
 4 pieces washer A2
 1 piece sealing, max. 125°C
- pos. 23 **Weather protection cover**

Version with other pulse output or other pressure and temperature features on request.

Spare parts

Spare parts

| | | |
|---|----------------------------------|-------------------------------------|
| Motor | gm400210 | 230/400V |
| Loose tape | mf-va-012 x 0.2 | (price per 1m) |
| Tape roller complete | sb110040 + mf-va-012 x 0.2 (30m) | tape roller with 30m tape |
| | sb110040 + mf-va-012 x 0.2 (50m) | tape roller with 50m tape |
| | sb110040 + mf-va-012 x 0.2 (70m) | tape roller with 70m tape |
| Sensor weight (delivery parts: see figure below) | | |
| | sb100600 | stainles steel 1.4301 |
| | sb100620 | folding cover 1.4301 / canvas |



Electrical connection

