

Limit reed switch

for ASV flowmeter with float
type series DFM 165 to DFM 350

ZE 950, monostable:

ident No. 48118- normally open

ZE 951, bistable:

ident No. 48119- normally open

ident No. 113131- normally closed

- **Reliable limit value determination using reed switches**
- **Monostable and bistable meeting your requirements**
- **Direct power control of external devices, with limit value switch (ZE 960) and/or contact protection relay (ZE 961)**
- **Flow range (height position = signal value) optional setting position. Fixed with a dovetail guide clamping piece to the measuring capillary**
- **Simple, reliable installation on existing plants, easy to retrofit**

The limit reed switches ZE 950 and ZE 951 serve as limit reed switches for minimum and maximum or optional intermediate flow values. They are clamped to the dovetail guides (measuring tube of the flowmeter DFM 165 to DFM 350) and signal when the float in the measuring tube has reached or exceeded the limit reed switch position. As soon as this happens the contact in the limit reed switch in the actual switching element (reed switch) opens or closes.

A new magnet technology makes the differentiation between monostable and bistable unnecessary with regard to the float.

Applicable to the limit reed switches and their function are

• type ZE 950 monostable (normally open)

The contact is closed when the float is directly at the height of the limit reed switch. This opens (switches) as soon as the float moves up or down, i. e. the flow increases or decreases.

• type ZE 951 bistable (normally open)

The contact is closed as soon as the magnetic float moves up from below or is at the direct height of the limit reed switch.

When exceeding the limit reed switch the switched condition is maintained. Only when moving down below the limit reed switch the switching status will be cancelled.

Technical data

- Operating voltage: max. 230 V AC
- Operating current: max. 0.5 A
- Constant current when switched: max. 1 A
- Rupturing capacity: max. 10 W / 10 VA
- Forward resistance: < 150 mΩ
- Isolation resistance: > 10¹⁰ Ω
- Operating temperature: 0 °C to +55 °C
- Protection: IP 65 (DIN EN 60528)
- Hysteresis (switch on and off point): 3 mm
- Dimensions: 34 x 17 x 41 mm
- Weight (with plug): 40 g
- Trip line information: Refer to limit value switch ZE 960, document 330 208.
- Connections: The polarity of the connections has no influence on the function.

Attention

Do not exceed the current data or the rupturing capacity.

For this reason always fit a limit value switch ZE 960 or a contact protection relay ZE 961 if a power circuit is intended.

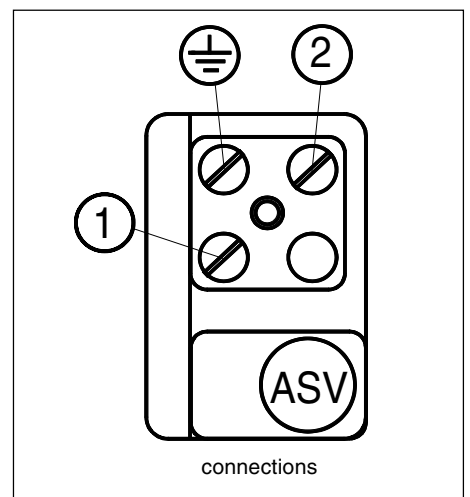
ZE 951: Prior first start up it is important that the float passes the switch ZE 951 three times in order to release possible monostable behaviour due to longer off period.



ZE 950 / ZE 951



DFM with ZE 950



connections

Technical alterations excepted

