

### Ordering Code



AL2000-02



AL4000-04

<b>A</b>	<b>L</b>	<b>3000</b>	<b>03</b>
Series A series	Function code Lubricator	Specification Code 1000 2000 3000 4000 5000	Port Size M5:M5×0.8 01:G1/8" 02:G1/4" 03:G3/8" 04:G1/2" 06:G3/4" 10:G1"

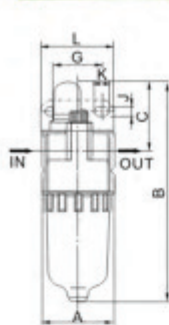
Graphic Symbol



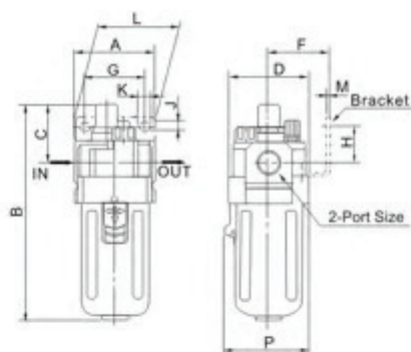
### Specification

Model	AL1000 -M5	AL2000 -01	AL2000 -02	AL3000 -02	AL3000 -03	AL4000 -03	AL4000 -04	AL4000 -06	AL5000 -06	AL5000 -10
Rated Flow	95	800	800	1700	1700	5000	5000	6300	7000	9000
Port Size	M5	G1/8"	G1/4"	G1/4"	G3/8"	G3/8"	G1/2"	G3/4"	G3/4"	G1"
Highest Working Pressure						1.0MPa				
Ensured pressure Resistance						1.5MPa				
Operating Temperature Range						5~60℃				
Recommended Oil Use						ISO VG 32				
Container Material						Polycarbonate				
Protective Cover	Not Available					Available				

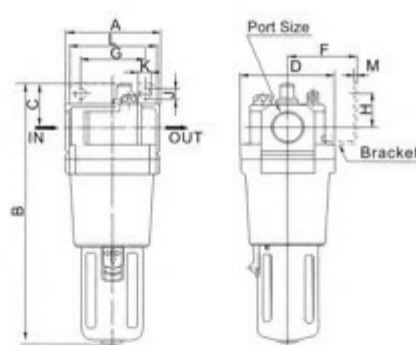
### Overall Dimensions



AL1000-2000



AL3000-4000



AL5000

### Dimension Sheet

Model	Port Size (G)	A	B	C	D	F	G	H	J	K	L	M	P
AL1000	M5	25	81.5	25.5	25	-	-	-	-	-	-	-	27
AL2000	G1/8" ~G1/4"	40	122	38	40	30	27	22	5.4	8.4	40	2.3	40
AL3000	G1/4" ~G3/8"	53	142	38	53	41	40	23	6.5	8	53	2.3	56
AL4000	G3/8" ~1/2"	70	177	41	70	50	54	26	8.5	10.5	70	2.3	73
AL4000-06	G3-4"	75	177	39	70	50	54	25	8.5	10.5	70	2.3	73
AL5000	G3/4" ~G1"	90	254	45	90	66.5	66	35	11	13	90	3.2	90