



AW2000-02



AW4000-04

Ordering Code

A	W	3000	03	
Series A series	Function code Filter & Regulator	Specification Code 1000 2000 3000 4000 5000	Port Size M5:M5×0.8 01:G1/8" 02:G1/4" 03:G3/8" 04:G1/2" 06:G3/4" 10:G1"	Drain Type Blank:Manual Drain Type D:Auto Drain Type (Available for 2000 or above)

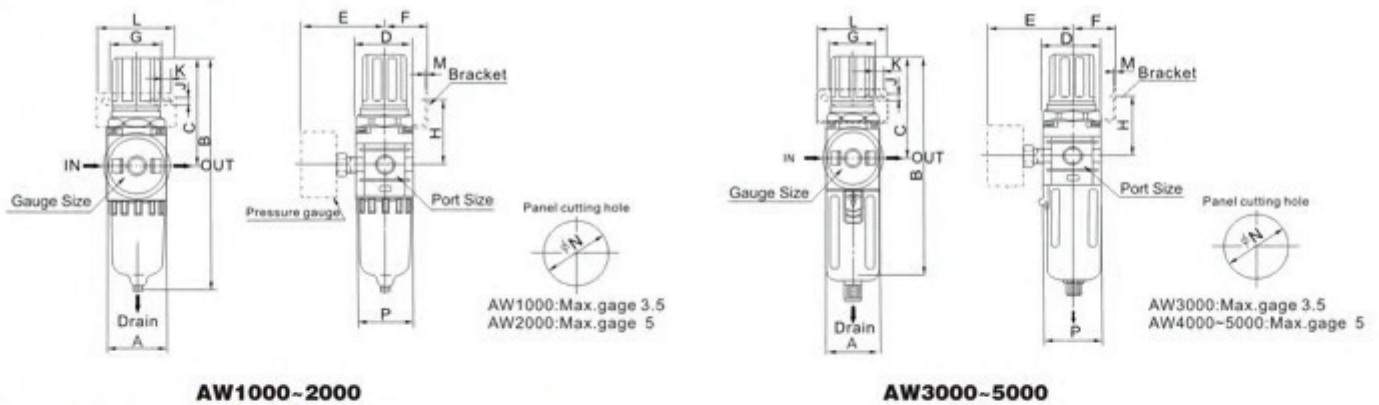
Graphic Symbol



Specification

Model	AW1000 -M5	AW2000 -01	AW2000 -02	AW3000 -02	AW3000 -03	AW4000 -03	AW4000 -04	AW4000 -06	AW5000 -06	AW5000 -10
Rated Flow	100	550	550	2000	2000	4000	4000	4500	5000	5000
Port Size	M5	G1/8"	G1/4"	G1/4"	G3/8"	G3/8"	G1/2"	G3/4"	G3/4"	G1"
Filter Precision	25 μ									
Highest Working Pressure	1.0MPa									
Ensured pressure Resistance	1.5MPa									
Operating Temperature Range	5~60℃									
Range of Adjustable Pressure	0.05~0.7MPa					0.05~0.85MPa				
Container Material	Polycarbonate									
Protective Cover	Not Available					Available				
Drain Function	Differential Drain					Differential Drain, Automatic Drain				
Valve Type	With Overflow									

Overall Dimensions



Dimension Sheet

Model	Port Size (G)	A	B	C	D	E	F	G	H	J	K	L	M	N	P
AW1000	M5	25	109.5	50.5	25	26	25	28	30	4.5	6.5	40	2	20.5	28
AW2000	G1/8" ~G1/4"	40	164.5	78	40	56.8	30	34	43.5	5.4	15.4	55	2.3	33.5	40
AW3000	G1/4" ~G3/8"	53	211	92.5	53	60.8	39	40	46	6.5	8	53	2.3	42.5	56
AW4000	G3/8" ~1/2"	70	262	112	70	70.5	49.2	54	53.5	8.5	10.5	70	2.3	52.2	73
AW4000-06	G3-4"	75	267	114	70	70.5	49.2	54	55.5	8.5	10.5	70	2.3	52.5	73
AW5000	G3/4" ~G1"	90	338	116	90	75.5	49.2	54	62	8.5	10.5	70	2.3	52.5	90