



EC15 Pressure Transducer



Principle

The pressure transmitter is made of a piezoresistive wheatstone bridge. When the pressure is applied on the sensor to create the Wheatstone bridge an imbalance between the positive and negative pole, the imbalanced potential will be amplified and converted the voltage into an analog electrical signal.

Product Specification

Pressure range:

EC1540 (Low pressure range type):
0.25, 0.4, 0.6, 1.0, 1.6, 2.5, 4.0, 6.0, 10 Bar

EC1550 (High pressure range type):
16, 25, 60, 100 Bar

EC1550 (Middle pressure range type):
160, 250, 400, 600 Bar

Linearity: $\pm 0.5\%$ F.S(0~50°C) or $\pm 1\%$ (-20~80°C)

Long term stability: <0.1%

Operating temp.: -20~80°C

Ambient temp.: 0~50°C

Supply voltage: 9~24 Vdc

Output: 4~20mA

(Loop resistance should be less than 500W)

Wetted parts: SUS304

Connection: 1/4"NPT

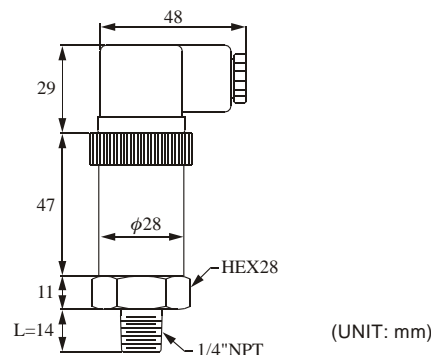
Protection: IP65

Overload ability: 200% F.S

Product Feature

1. Sensing diaphragm is made of SUS304
2. Wetted material is stainless steel which is suitable for general applications and various environments such as non-corrosive liquid and gas.
3. Operating Temperature is from -20~80°C
4. Pressure range is from 0.25~600Bar
5. Linearity is $\pm 0.5\%$ F.S with 4~20mA analog output.
6. Power supply is 9~24Vdc
7. It can be used to detect sealed pressure to -1Bar. (Upon request)
8. Overload ability is 200% F.S
9. Internal temperature compensation ensures long lasting reliability
10. Can be equipped with digital panel meter, recorder, PLC, signal controller

Dimension



Order Information

EC 1 5 4 0 - 2 X 5 - 2 U - D - 5

MODEL

- 40: Low pressure range
- 50: Middle pressure range
- 60: High pressure range

Pressure range (UNIT: bar, Sealed gauge)

- Low pressure: 0.25, 0.4, 0.6, 1.0, 1.6, 2.5, 4.0, 6.0 Bar
- Middle pressure: 16, 25, 60, 100 Bar
- High pressure: 160, 250, 400, 600 Bar
- 0.25Bar=X25, 0.4Bar=X40, 2.5Bar=2X5,

Connecting type

	Connection	Screw	Pressure(Max.)
1U	1/8"NPT	9.5mm	400Bar
2U	1/4"NPT	14mm	500Bar
1V	G1/8"	10mm	400Bar
2V	G1/4"	14mm	500Bar
M1	M20xP1(74°Taper)	18mm	600Bar
M2	M20xP1.5	18mm	1000Bar

Conduit

A: ASI B: Cable(500mm) D: DIN43650A

Output options

1: 0~5V (Power Supply 15Vdc) 5: 4~20mA (Power Supply 24Vdc)

