

Overview



The combination of the SONO 3100 sensor and the FUS060 transmitter is ideal for applications where process shut-down is impossible during service and where there is a need for extreme high/low temperatures and pressures.

Transducers can be changed without interrupting operation. SONO 3100 can optionally be delivered as a 4-path solution for absolute best performance and accuracy.

Benefits

- Transducers can be replaced under pressure
- Measurement of all liquids less than 350 Cst, conductive or non-conductive
- No pressure drop
- Reliable and accurate flow measurements
- Long-time stability
- On request as special versions:
 - Special sensor material, e.g. Duplex, stainless steel
 - High/low temperature sensor version: +250 °C (+482 °F)/ -200 °C (-328 °F) sensors
 - Pressure rating 430 bar (6235 psi)
 - Special sensor sizes down to DN 25
 - 1-path or 4-path sensor technology

Application

The main application for SONO 3100 in combination with transmitter type FUS060 is to measure volume flow within:

- Petrochemical industry
- Power engineering
- Water and waste water
- Oil and liquefied gases

SITRANS FUS060 holds ATEX for hazardous areas, HART and PROFIBUS PA. SONO 3100 holds ATEX Ex approval.

Design

The SONO 3100 in combination with FUS060 consists of a SONO 3100 sensor, SONO 3200 transducers with O-rings or flanges depending on selection - and a FUS060 transmitter. SONO 3100 is basically supplied in a 2-path solution with flanges in sizes from DN 100 to DN 600 and without flanges in sizes from DN 100 to DN 300.

1-path or 4-path special versions are available on request, depending on size (DN 25 to DN 1200).

SONO 3100 is as standard available in carbon steel from DN 100 to DN 600.

FUS060 is designed for remote wall mounting only.

Technical specifications

The transmitter related to this system is the SITRANS FUS060. Technical specifications to the FUS060 see page 3/246.

2-path sensor fitted with four SONO 3200 transducers

Error in measurement

Error in measurement at reference conditions	$v > 0.5 \dots 10 \text{ m/s}$, $< \pm 0.5 \%$ of rate (v =flow velocity)
Max flow velocity	10 m/s (32 ft/s)
Nominal size	DN 100 ... 600 (4" ... 24")
Media temperature	
• Standard	-10 ... +200 °C (14 ... 392 °F)
• ATEX Ex d version	-20 ... +180 °C (-4 ... +356 °F)
• ATEX Ex i version	-10 ... +190 °C (14 ... 374 °F)
• Specials	-200 °C (-328 °F) or up to 250 °C (482 °F)

Ambient temperature

- Standard and Ex-i version
- Ex d version

Enclosure

IP67 (NEMA 4X/6)/IP68 (NEMA 6P) and ATEX (see below)

Process connections

PN designated, EN 1092-1, type 11 (B)

Pipe material carbon steel

- DN 200 ... 600 (8" ... 24"), PN 10
- DN 100 ... 600 (4" ... 24"), PN 16
- DN 200 ... 600 (8" ... 24"), PN 25
- DN 100 ... 500 (4" ... 20"), PN 40

Class designated, EN 1759-1

Pipe material carbon steel

- DN 100 ... 600 (4" ... 24")
Class 150
- DN 100 ... 300 (4" ... 12")
Class 300

Without flanges (EN 10217), (weld-in version)

only in carbon steel

- DN 350 ... 600 (14" ... 24"), PN 10
- DN 100 ... 600 (4" ... 24"), PN 16
- DN 200 ... 600 (8" ... 24"), PN 25
- DN 100 ... 500 (4" ... 20"), PN 40

Transducer SONO 3200

O-ring or flange versions

Materials

Pipe

Steel EN 1.0345-P235GH

Flange

PN

EN 10025-S235JRG2, 1E1

Class

ASTM A105, 1,1

Transducer body

Stainless steel AISI 316 or similar

Transducer terminal house

Stainless steel AISI 316 or plastic PA 6.6

Flow Measurement

SITRANS F US Inline

Flowmeter SONO 3100/FUS060

Certificates and approvals

System ATEX approval for SONO 3100 together with transmitter FUS060-Ex

ATEX II 2G Ex dem [ia/ib] IIC T6/T4/T3 Gb or ATEX II 2G Ex d IIC T3-T6 Gb with SONO 3200 Exd transducers (for standard FUS060 transmitter, installed outside of Ex zone)

For FUS060 Ex version the transmitter cable length is restricted to 3 m (9.84 ft), in order to meet requirements for electrical immunity.

Conformity certificate

The devices are supplied as standard with a Siemens Certificate of Conformity on DVD

Material certificate

Material certificate according to EN 10204-3.1 is optionally available

NDT examination report

Extended material certificate is optionally available

Pressure certificate

Pressure test according to EN 10204-2.3 optionally available

Calibration report

A standard calibration report is shipped with each flowmeter.

Optionally available:

Extended accredited ISO/IEC 17025 calibration certificates

Approvals

No custody transfer approvals

The sensor SONO 3100 with transmitter FUS060 conforms to Product Family Standard EN 61326/A3 appendix A (Title: Electrical Equipment for Measurement control and laboratory use – EMC requirements).

The sensors are approved according to EU directive 2014/68/EU dated 27 June 2014 regarding fluid group 1, classified in category III. Design according to EN 13480 (PED Directive).

The SONO 3100 as weld-in version does not include the flanges. Thus, it can neither be tested nor approved according to PED. After the installation, all installation-related activities (welding, pressure test etc.) are the responsibility of the customer.

Selection and Ordering data

Article No. Order code

SITRANS F US SONO 3100 sensor 2-path

7ME3100-

Click on the Article No. for the online configuration in the PIA Life Cycle Portal.

Diameter Qn setting [m³/h]

DN 100 (4")	28	1 N
DN 100 (4")	100	1 P
DN 100 (4")	220	1 R
DN 125 (5")	44	1 S
DN 125 (5")	150	1 T
DN 125 (5")	350	1 V
DN 150 (6")	64	2 A
DN 150 (6")	220	2 B
DN 150 (6")	500	2 D
DN 200 (8")	110	2 E
DN 200 (8")	380	2 F
DN 200 (8")	900	2 H
DN 250 (10")	180	2 J
DN 250 (10")	600	2 K
DN 250 (10")	1300	2 M
DN 300 (12")	250	2 N
DN 300 (12")	850	2 P
DN 300 (12")	2000	2 R
DN 350 (14")	350	2 S
DN 350 (14")	1000	2 T
DN 350 (14")	2800 ¹⁾	2 V
DN 400 (16")	450	3 A
DN 400 (16")	1300	3 B
DN 400 (16")	3600	3 D
DN 500 (20")	1300	3 J
DN 500 (20")	2200	3 K
DN 500 (20")	4200 ¹⁾	3 M
DN 600 (24")	1300	3 S
DN 600 (24")	3200	3 T
DN 600 (24")	4200 ¹⁾	3 V

Flange norm and pressure rating

(All sizes are not available in all pressure ratings)

EN 1092-1

PN 10 (DN 200 ... DN 600)

PN 16 (DN 100 ... DN 600)

PN 25 (DN 200 ... DN 600)

PN 40 (DN 100 ... DN 500)

ANSI B16.5

class 150 (DN 100 ... DN 600)

class 300 (DN 100 ... DN 300)

Pipe without flanges (EN 10217) (weld-in version)²⁾

PN 10 (DN 200 ... DN 600)

PN 16 (DN 100 ... DN 600)

PN 25 (DN 200 ... DN 600)

PN 40 (DN 100 ... DN 500)

B

C

D

E

H

J

P

Q

R

S

Selection and Ordering data	Article No.	Order code	Selection and Ordering data	Order code
SITRANS F US SONO 3100 sensor 2-path	7ME3100 -		Additional information	
			Please add „-Z“ to Article No. and specify Order code(s) and plain text.	
Pipe and flange material			Calibration	
Carbon steel (DN 100 ... 1200)	1		Production calibration DN 100 ... DN 600 (with certificate)	Included
Transducer type and approval			Accredited Siemens ISO/IEC 17025 calibration for DN 100 to DN 200 with Qn as selected in diameter. Calibration certificate: 2 x 5 points in 5 %, 10 %, 25 %, 50 % and 100 % Qn (max. flow 630 m ³ /h).	D20
IP67 (NEMA 4X/6) PA housing, PN 40, O-ring, 50 mm, 100 °C (212 °F) (DN 100 ... 600)	1		Accredited Siemens ISO/IEC 17025 calibration for DN 200 to DN 600 with Qn as selected in diameter. Calibration certificate: 2 x 5 points in 5 %, 10 %, 25 %, 50 % and 100 % Qn (max. flow 2800 m ³ /h).	D21
IP68 SS housing, PN 40, O-ring, 50 mm, 200 °C (392 °F) (DN 100 ... 600)	2		Accredited Siemens ISO/IEC 17025 calibration for DN 400 to DN 600 with Qn as selected in diameter. Calibration certificate: 2 x 5 points in 5 %, 10 %, 25 %, 50 % and 100 % Qn (max. flow 8000 m ³ /h).	D22
IP68 SS housing, PN 40, O-ring, 50 mm, 180 °C (356 °F), Ex d ATEX approval (only with standard FUS060) (DN 100 ... 600)	3			
IP67 (NEMA 4X/6) PA housing, PN 40, flange, 88 mm, 100 °C (212 °F) (DN 100 ... 300)	4			
IP68 SS housing, PN 40, flange, 88 mm, 200 °C (392 °F) (DN 100 ... 300)	5			
IP68 SS housing, PN 40, flange, 88 mm, 180 °C (356 °F), Ex d ATEX approval (only with standard FUS060) (DN 100 ... 300)	6			
IP67 SS housing, PN 40, O-ring, 50 mm, 190 °C (374 °F), Ex i ATEX approval (only with FUS060 Ex-version) (DN 100 ... 600)	7			
IP67 SS housing, PN 40, flange, 88 mm, 190 °C (374 °F), Ex i ATEX approval (only with FUS060 Ex-version) (DN 100 ... 300)	8			
Cable gland entries			Material certificate	
Cable glands M20 in transducers and in transmitter M25/20/16 x 1.5	1		EN 10204-3.1	F10
Cable glands ½" NPT in transducers and in transmitter	2		EN 10204-3.1 and 100 % NDT on weldings, DN 100 ... DN 400	F11
			EN 10204-3.1 and 100 % NDT on weldings, DN 500 ... DN 600	F12
Transmitter version of SITRANS FUS060			Pressure certificate	F21
IP65 (NEMA 4), 120/230 V AC	N		EN 10204-2.3	
IP65 (NEMA 4), 24 V AC/DC	P			
IP65 (NEMA 4), 24 V AC/DC ATEX Ex version	Q		Tag name plate	Y17
FUS060 output module			Stainless steel TAG plate (1 x 24 x 80 mm), wire fixed. Font size depends on text length: 8 mm for 1 ... 10 characters, 4 mm for 11 ... 20 characters (specify in plain text).	
HART, 1 pulse output, 1 relay	B			
HART Ex, 1 pulse output, 1 relay	C			
PROFIBUS PA, 1 pulse/frequency	D			
Transducer coaxial cable				
4 x 3 m, max. 70 °C (158 °F), the only option for Ex i	0			
4 x 15 m, max. 70 °C (158 °F)	1			
4 x 30 m, high temp. max. 200 °C (392 °F)	2			
4 x 30 m, max. 70 °C (158 °F)	3			
4 x 60 m, max. 70 °C (158 °F)	4			
4 x 90 m, max. 70 °C (158 °F)	5			
4 x 120 m, max. 70 °C (158 °F)	6			
4 x 3 m, high temp. max. 200 °C (392 °F), the only option for Ex i	7			
4 x 15 m, high temp. max. 200 °C (392 °F)	8			

1) Reduced Q value during calibration (Qn setting unchanged).

2) For weld-in sensor versions according to EN 10217 (flangeless sensors 7ME3100-xxYxx-xxxx, Y = P, Q, R, S) the tube roundness shall be agreed via the PVR process (only if the factor of Du / Wxx > 100).



Please use online Product selector to get latest updates. Product selector link:

www.pia-portal.automation.siemens.com

Flow Measurement

SITRANS F US Inline

Flowmeter SONO 3100/FUS060

Flowmeter SONO 3100 with FUS060 operating instructions, accessories and spare parts

Operating instructions

Description	Article No.
SITRANS FUS060	
• English	A5E01204521
• German	A5E02123845
SITRANS F US SONO 3100	
• English	A5E00814513

All literature is available to download for free, in a range of languages, at www.siemens.com/processinstrumentation/documentation

Accessories

Description	Article No.
Potting kit for terminal box of SONO 3200 transducer for IP68/NEMA 6P (not for Ex sensors)	FDK:085L2403

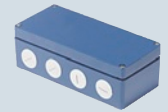


Description	Transducer length	Article No.
Extraction tool for replacement of SONO 3200 O-ring transducers under pressure and for hot-tapping (working conditions: typically water, max. 40 bar and max. 60 °C (max. 580 psi and max. 140 °F))	50 mm (1.97") transducers	FDK:085B5331



Cable connection boxes
(For the connection of individually transducer cables with the FUS060 transducer cables)

Description	Article No.
Junction box for coaxial cable	
• IP65 metal box for 4 coaxial cables	FDK:085B1361
• IP65 EEx e plastic box for 4 coaxial cables, no ATEX approval	FDK:085B1363



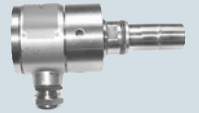
Spare parts

Transducer SONO 3200 spare parts, complete units

Type	Material	Gasket	Press. rating	Terminal housing	Approv.	Temp. range [°C (°F)]	Length mm (inch)	Article No.
O-ring	316 SS	O-ring	PN 40	Plastic, PA 6.6 M20		-20 ... +100 (-4 ... +212)	50 (1.97)	FDK:085B5453
O-ring	316 SS	O-ring	PN 40	316 SS M20		-20 ... +200 (-4 ... +392)	50 (1.97)	FDK:085B5450
O-ring	316 SS	O-ring	PN 40	316 SS M20	Ex d ¹⁾	-20 ... +180 (-4 ... +356)	50 (1.97)	FDK:085B5451
O-ring	316 SS	O-ring	PN 40	316 SS M20	Ex i ²⁾	-10 ... +190 (14 ... 374)	50 (1.97)	A5E00836448
O-ring	316 SS	O-ring	PN 40	Plastic, PA 6.6 ½" NPT		-20 ... +100 (-4 ... +212)	50 (1.97)	A5E00839472
O-ring	316 SS	O-ring	PN 40	316 SS ½" NPT		-20 ... +200 (-4 ... +392)	50 (1.97)	A5E00839431
Flange	316 SS	Graphite	PN 40	Plastic, PA 6.6 M20		-20 ... +100 (-4 ... +212)	88 (3.47)	FDK:085B5461
Flange	316 SS	Graphite	PN 40	316 SS M20		-20 ... +200 (-4 ... +392)	88 (3.47)	FDK:085B5462
Flange	316 SS	Graphite	PN 40	316 SS M20	Ex d ¹⁾	-20 ... +180 (-4 ... +356)	88 (3.47)	FDK:085B5463
Flange	316 SS	Graphite	PN 40	316 SS M20	Ex i ²⁾	-10 ... +190 (14 ... 374)	88 (3.47)	A5E00836465
Flange	316 SS	Graphite	PN 40	Plastic, PA 6.6 ½" NPT		-20 ... +100 (-4 ... +212)	88 (3.47)	A5E00839479
Flange	316 SS	Graphite	PN 40	316 SS ½" NPT		-20 ... +200 (-4 ... +392)	88 (3.47)	A5E00839440
Flange	316 SS	Copper ring	PN 40	316 SS PG13.5 (cryogenic version)		-200 ... +100 (-328 ... +212)	88 (3.47)	FDK:085B5416
Flat flange	316 SS	Flat gasket	PN 40	316 SS M20 (cryogenic version)		-200 ... +100 (-328 ... +212)	88 (3.47)	A5E02593524

¹⁾ ATEX (Ex) IIC 2G Ex d IIC T3-T6 Gb

²⁾ For systems with FUS060 ATEX IIC 2G Ex dem [ia/ib] T6/T4/T3



Terminal housing for SONO 3200 sensor

Type	Pressure rating	Material	Temp. range [°C (°F)]	Article No.
Terminal housing (M20 cable gland)	N/A	PA 6.6	-20 ... +100 (-4 ... +212)	FDK:085B5501
Terminal housing (M20 cable gland)	N/A	ASTM 316	-20 ... +200 (-4 ... +392)	FDK:085B5504
Terminal housing (1/2" NPT cable gland)	N/A	PA 6.6	-20 ... +100 (-4 ... +212)	A5E00839460
Terminal housing (1/2" NPT cable gland)	N/A	ASTM 316	-20 ... +200 (-4 ... +392)	A5E00839427
Ex d ¹⁾ terminal housing (M20 cable gland)	N/A	ASTM 316	-20 ... +180 (-4 ... +356)	FDK:085B5505
Ex i ²⁾ terminal housing (M20 cable gland)	N/A	ASTM 316	-10 ... +190 (14 ... 374)	A5E00835255



1) ATEX (Ex) IIC 2G EEx d IIC T3 ... T6

2) For systems with FUS060 ATEX IIC 2G Ex dem [ia/ib] T6/T4/T3

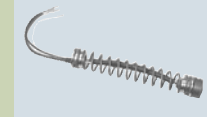
SONO 3200 spare parts, transducer body without terminal housing, including insert

Type	Material	Gasket	Pressure rating	Temp. range [°C (°F)]	Length mm (inch)	Article No.
O-ring	316 SS	O-ring	PN 40	-20 ... +200 (-4 ... +392)	50 (1.97)	FDK:085B1405
Flange	316 SS	Graphite	PN 40	-20 ... +200 (-4 ... +392)	88 (3.47)	FDK:085B1464



SONO 3200 spare parts, transducer insert

Type	Temp. range [°C (°F)]	Length mm (inch)	Article No.
Insert	-20 ... +200 (-4 ... +392)	50 (1.97)	FDK:085B1411
Insert	-20 ... +200 (-4 ... +392)	88 (3.47)	FDK:085B1459



Transducer SONO 3200 gaskets

Type	Pressure rating	Material	Temperature range [°C (°F)]	Article No.
Gasket O-ring (3 pcs. for o-ring transducers)	PN 40	FKM	-20 ... +200 (-4 ... +392)	FDK:085B1089
Gasket flange	PN 40/160	Graphite	-20 ... +200 (-4 ... +392)	FDK:085B1080
Gasket and 12 mm (0.47") bolts and nuts for flange transducers (4 pcs.)	PN 40	AISI 316 or equal	-20 ... +200 (-4 ... +392)	FDK:085B1083
Gasket and 16 mm (0.63") bolts and nuts for flange transducers (4 pcs.)	PN 160	Graphite, 316 SS	-20 ... +200 (-4 ... +392)	FDK:085B1084
Gasket for cryogenics transducer with flat flange (2 pcs.)	PN 40	Graphite/metal composite	-200 ... +100 (-328 ... +212)	A5E02593522



Flow Measurement


SITRANS F US Inline

Flowmeter SONO 3100/FUS060

SONO 3200 cable glands

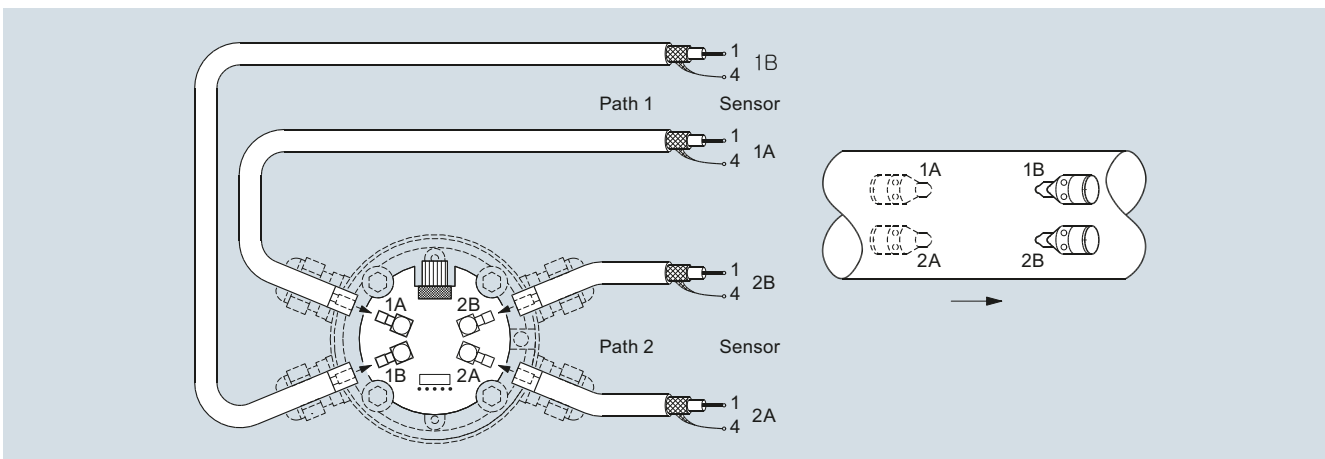
Type/description	Temperature range [°C (°F)]	Appr.	Article No.	
black PA plastic, cable Ø 5 ... 13 mm (1 pc.)	-20 ... 100 (-4 ... +212)		A5E02246304	
½" NPT gray PA plastic, cable Ø 5 ... 9 mm (1 pc.)	-20 ... 100 (-4 ... +212)		A5E02246309	
½" NPT chrome-plated brass, cable Ø 5 ... 9 mm (1 pc.)	-40 ... 100 (-40 ... +212)		A5E02246258	
M20 stainless steel, cable Ø 4 ... 6 mm (1 pc.)	-25 ... 200 (-13 ... +392)	Ex i	A5E02246194	
M20 Stainless steel, cable Ø 5 ... 8 mm (1 pc.)	-60 ... 180 (-76 ... +356)	Ex d	A5E02246311	

Cables for SONO 3100 with FUS060

Description	Length m (ft)	Article No.	
Coaxial cable for FUS060, (75 Ω, max. 70 °C (158 °F), black PVC) (2 pcs.)	3 (9.84)	A5E00875101	
	15 (49.21)	A5E00861432	
	30 (98.43)	A5E01278662	
	60 (196.85)	A5E01278682	
	90 (295.28)	A5E01278687	
High temp. coaxial cable for FUS060; with 0.3 m brown PTFE high temp. transducer part, max. 200 °C (392 °F) and black PVC for remaining transmitter part with SMB plug, max. 70 °C (158 °F); (impedance 75 Ω) (2 pcs.)	3 (9.84)	A5E00875105	
	15 (49.21)	A5E00861435	
	30 (98.43)	A5E01196952	
SITRANS F US special coaxial cable sets for low temperature cryogenic systems, with SMB-plug for transmitter SITRANS FUS060, PTFE material, temp. -200 ... +200 °C (-328 ... +392 °F), impedance 75 Ω (2 pcs.)	10 (32.84)	A5E02085593	
	15 (49.21)	A5E03262088	
	30 (98.43)	A5E02085644	
	40 (131.23)	A5E02085649	

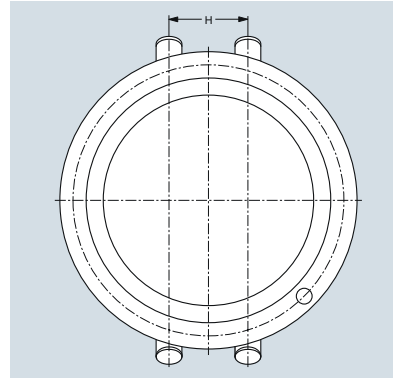
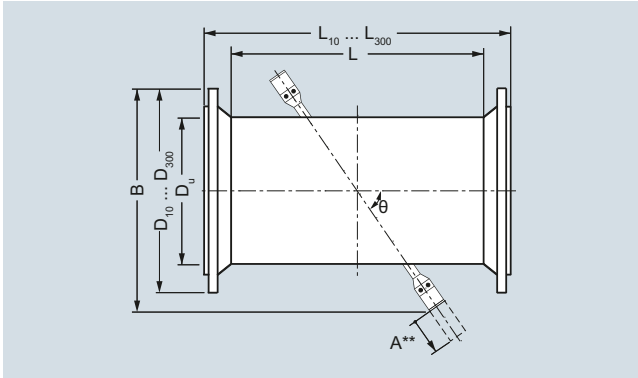
3

Schematics



Electrical connection of SITRANS FUS060 and SONO 3100

Dimensional drawings of sensor SONO 3100



Sensor SONO 3100 with EN norm

DN	D _U [mm]	L ^{1) 4)} [mm]	B ⁵⁾ [mm]	θ [°]	H [mm]	PN 10			PN 16			PN 25			PN 40		
						W _{min} ²⁾ [mm]	D ₁₀ [mm]	L ₁₀ ¹⁾ [mm]	W _{min} ²⁾ [mm]	D ₁₆ [mm]	L ₁₆ ¹⁾ [mm]	W _{min} ²⁾ [mm]	D ₂₅ [mm]	L ₂₅ ¹⁾ [mm]	W _{min} ²⁾ [mm]	D ₄₀ [mm]	L ₄₀ ¹⁾ [mm]
100	114.3	860	305	45 ³⁾	42.8	-	-	-	3.6	220	960	-	-	-	3.6	235	990
125	139.7	862	325	45 ³⁾	64.5	-	-	-	4.0	250	970	-	-	-	4.0	270	990
150	168.3	862	350	45 ³⁾	78.1	-	-	-	4.5	285	970	-	-	-	4.5	300	1010
200	219.1	668	430	45 ³⁾	102.1	6.3	340	790	6.3	340	790	6.3	360	820	6.3	375	840
250	273.0	714	480	45 ³⁾	127.6	6.3	395	850	6.3	405	850	7.1	425	890	7.1	450	920
300	323.9	607	525	45 ³⁾	151.8	7.1	445	740	7.1	460	760	8.0	485	790	8.0	515	830
350	355.6	639	550	45 ³⁾	166.4	8.0	505	770	8.0	520	800	8.0	555	840	8.8	580	880
400	406.4	703	600	45 ³⁾	191.3	8.0	565	850	8.0	580	875	8.8	620	925	11.1	660	975
500	508.0	797	690	45 ³⁾	241.1	7.1	670	950	8.0	715	980	10.0	730	1050	14.2	755	1080
600	610.0	912	705	60	294.8	7.1	780	1075	8.8	840	1105	11.0	845	1165	-	-	-

¹⁾ Length tolerance (mm): DN 100 +2/-3, DN 125 ... 200 +3/-4, DN 250 ... 400 +4/-5, DN 500 ... 600 +5/-6

²⁾ Wall thickness for pressure rates PN 6 ... 40. For weld-in sensor versions according EN10217 (flangeless sensors 7ME3100-xxYxx-xxxx, Y=P, Q, R, S) the tube roundness shall be agreed via the PVR process (only if the factor of D_u/W_{xx} > 100).
W_{min} wall thickness are min. values. The delivered sensor can have larger wall thicknesses to meet the selected pressure rate. Any specific required wall thickness must be ordered as PVR.

³⁾ For all sensors with flange transducers path angle are 60°

⁴⁾ L is the length of sensor versions without flanges (weld-in version)
For weld-in sensor versions according to EN 10217 (flangeless sensors 7ME3100-xxYxx-xxxx, Y = P, Q, R, S) the tube roundness shall be agreed via the PVR process (only if the factor of D_u/W_{xx} > 100).

⁵⁾ B dimension value is an approximate information and may differ a little by flange pressure rate.

A**) Space required for replacement of transducer min. 230 mm (9.1 inch).
For replacement with special tool (extraction tool) see more information on page 3/268.

SONO 3100, 2-path

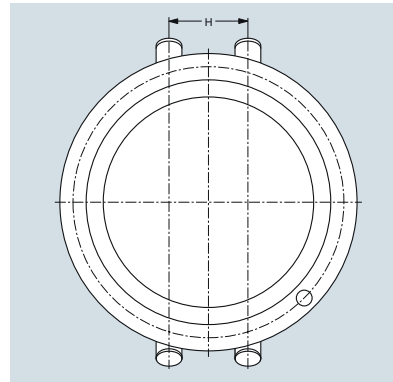
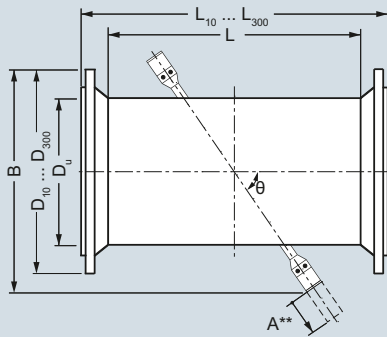
Nominal diam. DN	Flange type - Weight [kg (lb)]			
	PN 10	PN 16	PN 25	PN 40
100 (4")	-	32 (70.5)	-	35 (77.2)
125 (5")	-	38 (83.8)	-	44 (97.0)
150 (6")	-	45 (99.2)	-	52 (114.6)
200 (8")	59 (130.0)	58 (127.9)	70 (154.3)	79 (174.2)
250 (10")	73 (161.0)	75 (163.3)	96 (211.6)	117 (257.9)
300 (12")	83 (183.0)	92 (202.8)	114 (251.3)	151 (332.9)
350 (14")	98 (216.0)	113 (249.1)	145 (322.9)	191 (421.1)
400 (16")	119 (262.4)	141 (310.9)	191 (421.1)	275 (606.3)
500 (20")	153 (337.3)	207 (456.4)	284 (626.0)	379 (836.0)
600 (24")	193 (425.5)	276 (608.5)	363 (800.3)	-

Weight of system incl. process flanges and standard O-ring transducers. For sensors with flange transducer please add approx. 10 kg (22.05 lb).
For SS terminal housings instead of the standard PA housing add approx. 5 kg (11.03 lb).

Flow Measurement

SITRANS F US Inline

Flowmeter SONO 3100/FUS060



Sensor SONO 3100 with ANSI norm

Size (DN)	D _U	L ^{1) 4)}	B ⁵⁾	θ	H	Class 150			Class 300		
						W _{min} ²⁾	D ₁₅₀	L ₁₅₀ ¹⁾	W _{min} ²⁾	D ₃₀₀	L ₃₀₀ ¹⁾
inch (mm)	[inch]	[inch]	[inch]	[°]	[inch]	[inch]	[inch]	[inch]	[inch]	[inch]	[inch]
4 (100)	4.50	33.86	12.01	45 ³⁾	1.69	0.14	9.00	39.86	0.25	10.00	40.62
5 (125)	5.50	33.94	12.80	45 ³⁾	2.54	0.15	10.00	40.94	0.27	11.00	41.70
6 (150)	6.63	33.94	13.78	45 ³⁾	3.07	0.16	11.00	40.94	0.30	12.50	41.70
8 (200)	8.63	26.30	16.93	45 ³⁾	4.02	0.16	13.50	34.30	0.29	15.00	35.06
10 (250)	10.75	28.11	18.90	45 ³⁾	5.02	0.18	16.00	36.11	0.34	17.50	37.35
12 (300)	12.75	23.90	20.67	45 ³⁾	5.98	0.20	19.00	32.90	0.39	20.50	34.14
14 (350)	14.00	25.16	21.65	45 ³⁾	6.55	0.21	21.00	35.16	-	-	-
16 (400)	16.00	27.68	23.62	45 ³⁾	7.53	0.22	23.50	33.74	-	-	-
20 (500)	20.00	31.38	27.17	45 ³⁾	9.49	0.26	27.50	42.76	-	-	-
24 (600)	24.00	35.91	27.76	60	11.61	0.30	32.00	47.91	-	-	-

¹⁾ Length tolerance (mm): 4" +0.08"/-0.12" (+2/-3mm), 5" ... 8" +0.12"/-0.16" (+3/-4mm), 10" to 16" +0.16"/-0.20" (+4/-5mm), 20" ... 24" +0.20"/-0.24" (+5/-6mm)

²⁾ Minimum wall thickness for pressure rates Class 150 or Class 300. For weld-in sensor versions according to EN 10217 (flangeless sensors 7ME3100-xxYxx-xxxx, Y = P, Q, R, S) the tube roundness shall be agreed via the PVR process (only if the factor of $D_u/W_{xx} > 100$). W_{min} wall thickness are min. values. The delivered sensor can have larger wall thicknesses to meet the selected pressure rate. Any specific required wall thickness must be ordered as PVR.

³⁾ For all sensors with flange transducers path angle are 60°

⁴⁾ L is the length of sensor versions without flanges (weld-in version)
For weld-in sensor versions according to EN 10217 (flangeless sensors 7ME3100-xxYxx-xxxx, Y = P, Q, R, S) the tube roundness shall be agreed via the PVR process (only if the factor of $D_u/W_{xx} > 100$).

⁵⁾ B dimension value is an approximate information and may differ a little by flange pressure rate.

A**) Space required for replacement of transducer min. 230 mm (9.1 inch).
For replacement with special tool (extraction tool) see more information in „Sensor SONO 3100 accessories and spare parts“ on page 3/268.

Approximate weights for SONO 3100 sensor with ANSI B16.5 flanges

Nominal diameter		Weight [kg (lb)] ¹⁾			
DN	DN	CL150		CL300	
[inch]	[mm]	[kg]	[lb]	[kg]	[lb]
4	100	32	70.5	35	77.2
5	125	38	83.8	44	97.0
6	150	45	99.2	52	114.6
8	200	58	127.9	79	174.2
10	250	75	165.3	117	257.9
12	300	92	202.8	151	332.9
14	350	113	249.1	-	-
16	400	141	310.9	-	-
20	500	207	456.4	-	-
24	600	276	608.5	-	-

¹⁾ Weight of system incl. process flanges and standard O-ring transducers. For sensors with flange transducer please add approx. 10 kg (22.05 lb). For SS terminal housings instead of the standard PA housing add approx. 5 kg (11.03 lb).