

Flow Measurement

SITRANS F VA

SITRANS FVA250 variable area meter

Overview



SITRANS FVA250 variable area meter

Benefits

- Standard design available at short notice
- Robust all-metal fitting with impact-resistant housing cover
- Can also be used for corrosive and flammable media
- Use possible at high pressures and temperatures
- Product and percentage scales
- Can be optionally fitted with heating and cooling sheaths
- Contamination-insensitive guiding of float

Application

The devices are particularly suitable for measuring:

- Water
- Liquids
- Anti-corrosives and lubricants
- Solvents
- Saturated and superheated steam
- Food and beverages
- Industrial gases

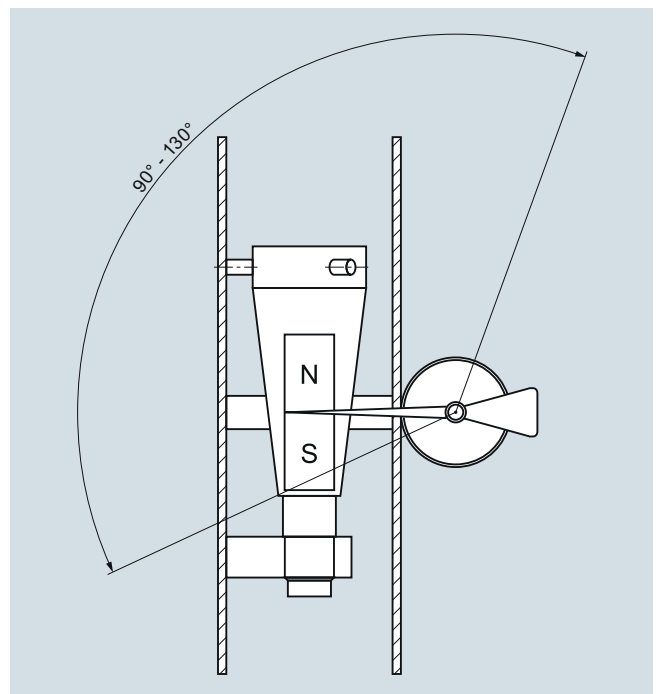
Design

Due to its full metal design, the SITRANS FVA250 variable area meter with a standard length of 250 mm (9.84 inch) can be used to measure many different types of liquids and gases passing through closed piping. The robust design means that it can also be used in harsh conditions. The various types of flange connections, linings and float materials satisfy the requirements of the pharmaceutical and chemical industries.

The measured value is displayed directly on the scale with the standard version. For process monitoring and control, the device can be equipped with a transmitter (MEM) as well as limit switches.

Function

Flow measurement with the SITRANS FVA250 is performed according to the float principle. The flowing medium lifts the conical float in the measuring ring. This increases the ring gap until an equilibrium is established between the buoyant force of the medium and the weight of the float. The height of the float is directly proportional to the flow rate. The movement of the float is transmitted from one magnet in the measuring tube to another magnet in the display unit outside of the measuring tube.



Measuring cone/scale angle

Technical specifications

Application	See page 3/450
Design and function	See page 3/450
Measuring principle	Variable area flowmeter
Input	
Measuring range	See table on page 3/452
Pressure rating	PN 16 ... PN 100 (232 ... 1450 psi) depending on version (see table on page 3/452)
Installation/flow direction	Vertical/from bottom to top
Rated operating conditions	
Ambient temperature	
• With local display	-40 ... +80 °C (-40 ... +176 °F)
• With limit switches	-40 ... +65 °C (-40 ... +149 °F)
• With electric remote encoder (MEM)	-40 ... +70 °C (-40 ... +156 °F)
Measuring accuracy	
• For liquids	± 1.6%
• For gases	± 2.0%
Reproducibility	0.5 % of the measuring range limit (URV)
Operating temperature	see page 3/452
Operating pressure	Min. operating pressure > 2x pressure drop (see table on page 3/452)
Design	
Flanges	EN 1092-1, ANSI B16.5
Material	
• Fitting	Stainless steel, Hastelloy
• Float	Stainless steel, Hastelloy, PTFE
• Wetted parts materials	Stainless steel, PTFE, Hastelloy, depending on version
Degree of protection (display unit)	
• Display unit made of aluminum	IP65
• Display unit made of stainless steel	IP66
Electromagnetic immunity	
• EN 61000-6-2: 1999	Interference immunity industrial sector
• EN 50081-1	Emitted interference residential sector
• EN 55011: 1998 + A1: 1999	Group 1, Class B
• NAMUR recommendation	NE 21

Classification according to pressure equipment directive (DGRL 97/23/EG)

	Article No. 7ME5822- 7ME5823-	Permissible media	Category
DN 15	xAxxx-xxxx	Gases of fluid group 1 and liquids of fluid group 1	Article 4.3
DN 20	xFxxx-xxxx		Article 4.3
DN 25	xBxxx-xxxx		Article 4.3
DN 32	xGxxx-xxxx		III
DN 40	xHxxx-xxxx		III
DN 50	xCxxx-xxxx		III
DN 65	xJxxx-xxxx		III
DN 80	xDxxx-xxxx		III
DN 100	xExxx-xxxx		III

Technical specifications of contacts

Limit switch	
Cable gland	M20x1.5
Auxiliary power supply	5 ... 25 V DC
Isolation (2 contacts)	Electrically isolated
Limit switch	SJ3.5-N-BU
• Switching function	NAMUR NC
Nominal voltage U ₀	8.2 V DC (R _i approx. 1 kΩ)
Explosion protection	II 2G EEx ia IIC T6 - T4
EC-Type Examination Certificate for Directive 94/9/EG	PTB 99 ATEX 2219 X
Transmitter (MEM) with 4 ... 20 mA, pulse output and limit switch	
Cable gland	M20x1.5
Auxiliary power supply	14 ... 30 V DC
Analog output	4 ... 20 mA (2-wire technology)
Binary output	Pulses, limit switch
• Pulses	Max. pulse rate 10 Hz
• Limit switch	SJ3.5-N-BU (NAMUR, NC)
Temperature influence	≤ ± 0.5 % of the measuring range limit (URV)/10 K
Explosion protection	ATEX II 2G EEx ia IIC T6
EC-Type Examination Certificate for Directive 94/9/EG	BVS 07 ATEX E 033
Transmitter (MEM) PROFIBUS PA	
Cable gland	M20x1.5
Auxiliary power supply	10 ... 25 V DC
Basic current	< 16.5 mA
Fault current	< 18 mA
Transfer rate	31.25 kBaud
Temperature influence	≤ ± 0.5 % of the measuring range limit (URV)/10 K
Explosion protection	ATEX II 2G EEx ia IIC T6
EC-Type Examination Certificate for Directive 94/9/EG	BVS 07 ATEX E 033

Float damping

Float damping is recommended

- Generally for gas measurement
- When air bubbles in the medium cannot be avoided.
- When there are pressure surges in the lines caused by a delay in the flow, for example, due to rapid throttling or blocking
- When turbulence, pulsations or other instabilities cause the float to vibrate.
- When the flow pressure cannot be built up slowly
- When vibrations in the line cannot be avoided

Flow Measurement

SITRANS F VA

SITRANS FVA250 variable area meter

Technical specifications (continued)

Permitted measuring ranges

Version	CF-S	EF-H	FF-P
Wetted parts materials	Mat. No. 1.4571/316Ti	Hastelloy C	PTFE
Fitting	Mat. No. 1.4571/316Ti	≤ DN 25 (1"): Hastelloy > DN 25 (1"): Hastelloy/Mat. No. 1.4571/316Ti	Mat. No. 1.4571/316Ti with PTFE lining
Flange	Mat. No. 1.4571/316Ti	≤ DN 25 (1"): Hastelloy > DN 25 (1"): Hastelloy/Mat. No. 1.4571/316Ti	Mat. No. 1.4571/316Ti with PTFE lining
Float/flow tube	Mat. No. 1.4571/316Ti	Hastelloy	PTFE
Max. media temperature	-20 ... +200 °C (-4 ... +392 °F) (optional -80 ... +350 °C (-112 ... +662 °F))		-20 ... +125 °C (-4 ... +257 °F)
Nominal pressure	DN15 ... 80 (½ ... 3"): PN 40 (580 psi) DN100 (4"): PN 16 (232 psi) optional up to 400 bar (5800 psi)	DN15 ... 80 (½ ... 3"): PN 40 (580 psi) DN100 (4"): PN 16 (232 psi) optional up to 400 bar (5800 psi)	PN 16 (232 psi)
Reference data for measuring range specifications	Fluid in l/h with density: 1,0 kg/l, temperature 20 °C (68 °F), viscosity: 1 mPa·s Gas in m³/h with density: 1.293 kg/m³, temperature 0 °C (32 °F), viscosity: 0,0181 mPa·s, p _e = 0 bar (0 psi)		

Order code	Pressure loss [mbar]							Measuring ranges (dynamic 1:10)			
	Flow tube							Liquids		Gases	
	1	2	3	4	5	6	7	[l/h]	[USgpm]	[m³/h]	[scfm]
10	40 ¹⁾	40 ²⁾	-	-	-	-	-	0.5 ... 5	0.0022 ... 0.022	0.015 ... 0.15	0.0088 ... 0.088
11	44 ¹⁾	44 ²⁾	-	-	-	-	-	0 ... 10	0.0044 ... 0.044	0.03 ... 0.3	0.0177 ... 0.177
12	40 ¹⁾	40 ²⁾	-	-	-	-	-	1.6 ... 16	0.007 ... 0.07	0.045 ... 0.48	0.0265 ... 0.283
13	40 ¹⁾	40 ²⁾	-	-	-	-	-	2.5 ... 25	0.011 ... 0.11	0.075 ... 0.75	0.0441 ... 0.441
14	40 ¹⁾	40 ²⁾	-	-	-	-	-	4 ... 40	0.018 ... 0.18	0.13 ... 1.3	0.0765 ... 0.765
15	-	40 ²⁾	-	-	-	-	-	5 ... 50	0.022 ... 0.22	0.15 ... 1.5	0.0883 ... 0.883
16	-	40 ²⁾	-	-	-	-	-	7 ... 70	0.031 ... 0.31	0.2 ... 2.1	0.12 ... 1.24
17	-	60	60 ³⁾	-	-	-	-	10 ... 100	0.044 ... 0.44	0.3 ... 3	0.177 ... 1.77
20	-	60	60 ³⁾	-	-	-	-	16 ... 160	0.07 ... 0.7	0.5 ... 4.6	0.29 ... 2.71
21	-	60	60 ³⁾	-	-	-	-	25 ... 250	0.11 ... 1.1	0.7 ... 7	0.412 ... 4.12
22	-	70	70 ³⁾	-	-	-	-	40 ... 400	0.176 ... 1.76	1.0 ... 11	0.589 ... 6.47
23	-	80	80 ³⁾	-	-	-	-	60 ... 600	0.264 ... 2.64	1.7 ... 17	1 ... 10
24	-	-	60	-	-	-	-	100 ... 1 000	0.44 ... 4.4	2 ... 30	1.77 ... 17.66
25	-	-	70	-	-	-	-	160 ... 1 600	0.7 ... 7	3 ... 46	2.35 ... 27.07
26	-	-	100	50 ²⁾	-	-	-	250 ... 2 500	1.1 ... 11	6 ... 70	4.12 ... 41.2
27	-	-	240 ²⁾	120 ²⁾	80	-	-	400 ... 4 000	1.76 ... 17.6	10 ... 110	6.47 ... 64.74
30	-	-	-	180 ²⁾	90	-	-	600 ... 6 000	2.64 ... 26.4	16 ... 170	10 ... 100
31	-	-	-	-	110	-	-	1 000 ... 10 000	4.4 ... 44	28 ... 290	17.1 ... 170.7
32	-	-	-	-	230	70	-	1 600 ... 16 000	7 ... 70	45 ... 460	27.1 ... 270.7
33	-	-	-	-	230	70 ²⁾	-	2 000 ... 20 000	8.8 ... 88	55 ... 550	32.4 ... 323.7
34	-	-	-	-	500 ²⁾	100	-	2 500 ... 25 000	11 ... 110	69 ... 700	41.2 ... 412
35	-	-	-	-	-	350 ²⁾	120	4 000 ... 40 000	17.6 ... 176	109 ... 1 100	64.7 ... 647.4
36	-	-	-	-	-	350 ²⁾	120 ²⁾	5 000 ... 50 000	22 ... 220	134 ... 1 350	79.5 ... 794.6
37	-	-	-	-	-	-	360 ²⁾	6 000 ... 60 000	26.4 ... 264	169 ... 1 700	100 ... 1 000
40	-	-	-	-	-	-	600 ²⁾	8 000 ... 80 000	35.2 ... 352	239 ... 2 400	141.3 ... 1 413
41	-	-	-	-	-	-	600 ²⁾	10 000 ... 100 000	44 ... 440	299 ... 3 000	176.6 ... 1 766

- Not available

1) Not available for EF-H and FF-P.

2) Not available for FF-P.

3) Not available for CF-S and EF-H.

Note: Female thread connection (DIN ISO 228, NPT ANSI B 1.20.1) not available for FF-P.

Permitted nominal diameters

Order Code	Flange		Flow tube						
	EN 1092-1	ANSI B16.5	1	2	3	4	5	6	7
A	DN 15	½"	• ¹⁾	•	• ²⁾	–	–	–	–
B	DN 20	¾"	• ¹⁾	• ²⁾	• ²⁾	–	–	–	–
C	DN 25	1"	• ¹⁾	• ²⁾	•	• ²⁾	–	–	–
D	DN 32	1¼"	• ¹⁾	• ²⁾	• ²⁾	• ²⁾	–	–	–
E	DN 40	1½"	• ¹⁾	• ²⁾	• ²⁾	• ²⁾	–	–	–
F	DN 50	2"	• ¹⁾	• ²⁾	• ²⁾	• ²⁾	•	–	–
G	DN 65	2½"	–	–	•	•	• ²⁾	–	–
H	DN 80	3"	–	–	–	•	• ²⁾	•	–
J	DN 100	4"	–	–	–	–	• ²⁾	• ²⁾	•

Order Code	Female thread		Flow tube						
	DIN ISO 228	NPT ANSI B 1.20.1	1	2	3	4	5	6	7
Q	G ¼"	¼" NPT	•	•	–	–	–	–	–
R	G 3/8"	3/8" NPT	•	•	–	–	–	–	–
S	G ½"	½" NPT	•	•	•	•	–	–	–
T	G ¾"	¾" NPT	•	•	•	•	–	–	–
U	G 1"	1" NPT	•	•	•	•	•	–	–
V	G 1¼"	1¼" NPT	•	•	–	•	•	–	–
W	G 1½"	1½" NPT	–	–	–	•	•	–	–
X	G 2"	2" NPT	–	–	–	–	•	–	–

• Available

– Not available

1) Not available for EF-H and FF-P.

2) Not available for FF-P.

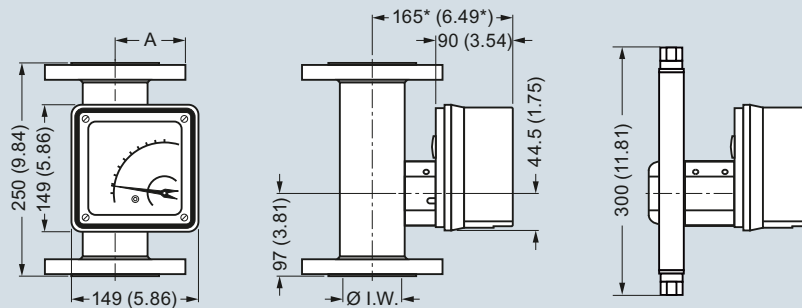
Note: Female thread connection (DIN ISO 228, NPT ANSI B 1.20.1) not available for FF-P.

Flow Measurement

SITRANS F VA

SITRANS FVA250 variable area meter

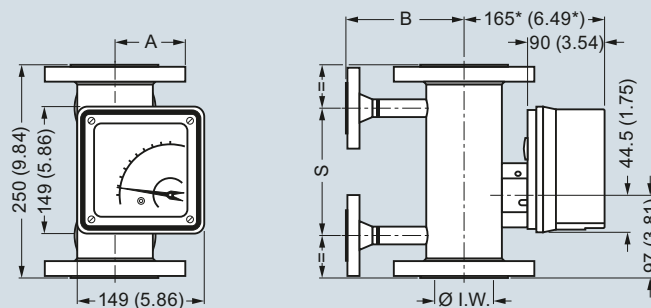
Dimensional drawings



EN 1092-1	ANSI B16.5	I. W.		A		Weight			
		mm	inch	mm	inch	kg	lb		
DN 15	PN 40	½"	class 150	26	1.02	74	2.91	3.0	6.6
DN 20	PN 40	¾"	class 150	26	1.02	74	2.91	3.0	6.6
DN 25	PN 40	1"	class 150	32	1.26	77	3.03	4.2	9.3
DN 32	PN 40	1¼"	class 150	32	1.26	77	3.03	5.2	11.5
DN 40	PN 40	1½"	class 150	46	1.81	88	3.46	6.0	13.2
DN 50	PN 40	2"	class 150	70	2.76	97	3.82	7.5	16.5
DN 65	PN 16	2½"	class 150	70	2.76	97	3.82	8.5	18.7
DN 80	PN 16	3"	class 150	102	4.02	113	4.45	13	28.7
DN 100	PN 16	4"	class 150	125	4.92	126	4.96	18	39.7

* +100 mm (3.94 inch) with displaced display unit

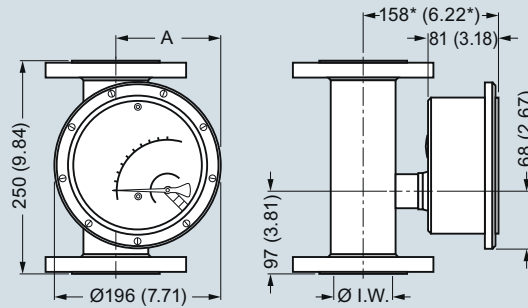
SITRANS FVA250, enclosure of display unit made of aluminum, dimensions in mm (inch)



Nominal diameter	B (flange)		B (Ermeto)		S		Weight		
	mm	inch	mm	inch	mm	inch	kg	lb	
DN 15	½"	110	4.33	53	2.09	150	5.91	3.0	6.6
DN 20	¾"	110	4.33	53	2.09	150	5.91	3.0	6.6
DN 25	1"	110	4.33	58.5	2.3	150	5.91	4.2	9.3
DN 32	1¼"	110	4.33	58.5	2.3	150	5.91	5.2	11.5
DN 40	1½"	130	5.12	63	2.48	150	5.91	6.0	13.2
DN 50	2"	140	5.51	77.5	3.05	150	5.91	7.5	16.5
DN 65	2½"	140	5.51	77.5	3.05	150	5.91	8.5	18.7
DN 80	3"	160	6.3	93.5	3.68	150	5.91	13	28.7
DN 100	4"	175	6.89	110	4.33	120	4.72	18	39.7

* +100 mm (3.94 inch) with displaced display unit

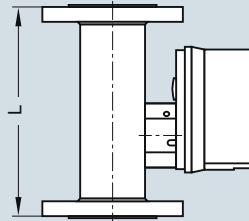
SITRANS FVA250, enclosure of display unit made of aluminum with heating connection, dimensions in mm (inch)



EN 1092-1		ANSI B16.5		I. W.		A		Gewicht	
				mm	inch	mm	inch	kg	lb
DN 15	PN 40	½"	class 150	26	1.02	103	4.06	3.0	6.6
DN 20	PN 40	¾"	class 150	26	1.02	103	4.06	3.0	6.6
DN 25	PN 40	1"	class 150	32	1.26	105	4.13	4.2	9.3
DN 32	PN 40	1¼"	class 150	32	1.26	105	4.13	5.2	11.5
DN 40	PN 40	1½"	class 150	46	1.81	115	4.53	6.0	13.2
DN 50	PN 40	2"	class 150	70	2.76	129	5.08	7.5	16.5
DN 65	PN 16	2½"	class 150	70	2.76	129	5.08	8.5	18.7
DN 80	PN 16	3"	class 150	102	4.02	145	5.71	13	28.7
DN 100	PN 16	4"	class 150	125	4.92	158	6.22	18	39.7

* +100 mm (3.94 inch) with displaced display unit

SITRANS FVA250, enclosure of display unit made of stainless steel, dimensions in mm (inch)



Nominal diameter	EN 1092-1				Nominal diameter	ANSI B16.5		
	PN 16	PN 40	PN63	PN100		class 150	class 300	class 600
DN 15	-	250 (9.84)	-	250 (9.84)	½"	250 (9.84)	250 (9.84)	250 (9.84)
DN 20	-	250 (9.84)	-	250 (9.84)	¾"	250 (9.84)	250 (9.84)	250 (9.84)
DN 25	-	250 (9.84)	-	250 (9.84)	1"	250 (9.84)	250 (9.84)	250 (9.84)
DN 32	-	250 (9.84)	-	250 (9.84)	1¼"	250 (9.84)	250 (9.84)	250 (9.84)
DN 40	-	250 (9.84)	-	250 (9.84)	1½"	250 (9.84)	250 (9.84)	250 (9.84)
DN 50	-	250 (9.84)	250 (9.84)	300 (11.81)	2"	250 (9.84)	250 (9.84)	300 (11.81)
DN 65	250 (9.84)	250 (9.84)	300 (11.81)	300 (11.81)	2½"	250 (9.84)	300 (11.81)	300 (11.81)
DN 80	250 (9.84)	250 (9.84)	300 (11.81)	300 (11.81)	3"	250 (9.84)	300 (11.81)	300 (11.81)
DN 100	250 (9.84)	250 (9.84)	300 (11.81)	300 (11.81)	4"	250 (9.84)	300 (11.81)	300 (11.81)

- not available

Built-in length of fitting in dependance of nominal diameter and pressure rating, dimensions mm (inch)

Flow Measurement

SITRANS F VA

SITRANS FVA250 variable area meter

Selection and ordering data

Article No.

SITRANS FVA250 Full metal variable area meter

7 ME 5 8 6 - - - - -

Click on the Article No. for the online configuration in the PIA Life Cycle Portal.

Flow tube

Liquid	Gas
5 ... 40 l/h	0.15 ... 1.3 m ³ /h
50 ... 600 l/h	1.5 ... 17 m ³ /h
1 000 ... 4 000 l/h	30 ... 110 m ³ /h
2.5 ... 6 m ³ /h	70 ... 170 m ³ /h
4 ... 25 m ³ /h	30 ... 700 m ³ /h
16 ... 50 m ³ /h	460 ... 1 350 m ³ /h
60 ... 100 m ³ /h	1 700 ... 3 000 m ³ /h

1
2
3
4
5
6
7

Design

Type: CF-S (standard)

Fitting: Stainless steel

Flange: Stainless steel

Float: Stainless steel

Type: EF-H

Fitting: Stainless steel, Hastelloy

Flange: Stainless steel, Hastelloy

Float: Hastelloy

Type: FF-P

Fitting: Stainless steel with PTFE lining

Flange: Stainless steel with PTFE lining

Float: PTFE

2
4
5

Nominal diameter

DN 15/ANSI ½"

DN 20/ANSI ¾"

DN 25/ANSI 1"

DN 32/ANSI 1¼"

DN 40/ANSI 1½"

DN 50/ANSI 2"

DN 65/ANSI 2½"

DN 80/ANSI 3"

DN 100/ANSI 4"

Female thread ¼"

Female thread 3/8"

Female thread ½"

Female thread ¾"

Female thread 1"

Female thread 1¼"

Female thread 1½"

Female thread 2"

A
B
C
D
E
F
G
H
J
K
Q
R
S
T
U
V
W
X

Flange/thread standard - pressure rate

EN 1092-1, PN 16, Form B1

EN 1092-1, PN 40, Form B1

EN 1092-1, PN 63, Form B2

EN 1092-1, PN 100, Form B2

ANSI B16.5, class 150 RF

ANSI B16.5, class 300 RF

ANSI B16.5, class 600 RF

Female thread G DIN ISO 228

Female thread NPT ANSI B1.20.1

B
D
E
F
J
K
L
T
N

3

Selection and ordering data

Article No.

SITRANS FVA250 Full metal variable area meter

7ME586 - - - - -

Measuring ranges

Liquids		Gases		
l/h	(USgpm)	m ³ /h	(scfm)	
0.5 ... 5	(0.0022 ... 0.022)	0.015 ... 0.15	(0.0088 ... 0.088)	1 0
0 ... 10	(0.0044 ... 0.044)	0.03 ... 0.3	(0.0177 ... 0.177)	1 1
1.6 ... 16	(0.007 ... 0.07)	0.045 ... 0.45	(0.0265 ... 0.283)	1 2
2.5 ... 25	(0.011 ... 0.11)	0.075 ... 0.75	(0.0441 ... 0.441)	1 3
4 ... 40	(0.018 ... 0.18)	0.13 ... 1.3	(0.0765 ... 0.765)	1 4
5 ... 50	(0.022 ... 0.22)	0.15 ... 1.5	(0.0883 ... 0.883)	1 5
7 ... 70	(0.031 ... 0.31)	0.2 ... 2	(0.12 ... 1.24)	1 6
10 ... 100	(0.044 ... 0.44)	0.3 ... 3	(0.177 ... 1.77)	1 7
16 ... 160	(0.07 ... 0.7)	0.5 ... 5	(0.29 ... 2.71)	2 0
25 ... 250	(0.11 ... 1.1)	0.7 ... 7	(0.412 ... 4.12)	2 1
40 ... 400	(0.176 ... 1.76)	1.0 ... 11	(0.589 ... 6.47)	2 2
60 ... 600	(0.264 ... 2.64)	1.7 ... 17	(1 ... 10)	2 3
100 ... 1 000	(0.44 ... 4.4)	2 ... 30	(1.77 ... 17.66)	2 4
160 ... 1 600	(0.7 ... 7)	3 ... 46	(2.35 ... 27.07)	2 5
250 ... 2 500	(1.1 ... 11)	6 ... 70	(4.12 ... 41.2)	2 6
400 ... 4 000	(1.76 ... 17.6)	10 ... 110	(6.47 ... 64.74)	2 7
600 ... 6 000	(2.64 ... 26.4)	16 ... 170	(10 ... 100)	3 0
1 000 ... 10 000	(4.4 ... 44)	28 ... 290	(17.1 ... 170.7)	3 1
1 600 ... 16 000	(7 ... 70)	45 ... 460	(27.1 ... 270.7)	3 2
2 000 ... 20 000	(8.8 ... 88)	55 ... 550	(32.4 ... 323.7)	3 3
2 500 ... 25 000	(11 ... 110)	69 ... 700	(41.2 ... 412)	3 4
4 000 ... 40 000	(17.6 ... 176)	109 ... 1 100	(64.7 ... 647.4)	3 5
5 000 ... 50 000	(22 ... 220)	134 ... 1 350	(79.5 ... 794.6)	3 6
6 000 ... 60 000	(26.4 ... 264)	169 ... 1 700	(100 ... 1 000)	3 7
8 000 ... 80 000	(35.2 ... 352)	239 ... 2 400	(141.3 ... 1 413)	4 0
10 000 ... 100 000	(44 ... 440)	299 ... 3 000	(176.6 ... 1 766)	4 1

Display unit / process temperature

Standard (aluminum) - up to 200 °C with local display/150 °C with electrical output
 Standard (aluminum) with displaced display - up to 350 °C with local display and electrical outputs
 Stainless steel IP66 - up to 200 °C with local display/150 °C with electrical outputs
 Stainless steel IP66 with displaced display - up to 350 °C with local display and electrical outputs

0
1
2
3

Heating/cooling sheath

Without (standard)
 With flange connection EN1092-1 DN 15 PN 40
 With flange connection ½ " ANSI B16.5 Class 150 RF

A
B
C

Display/outputs

With display
 With display, 1 inductive contact (limit switch) SJ 3.5N
 With display, 2 inductive contacts (limit switches) SJ 3.5N
 With display, HART and 4 to 20 mA
 With display, HART, 4 to 20 mA, 2 inductive contacts SJ 3.5N
 With display, HART, 4 to 20 mA, 1 inductive contact, 1 pulse output
 With display, PROFIBUS PA

A
B
C
D
E
F
G

Calibration

Standard calibration
 • Without calibration certificate
 • With calibration certificate

0
1

Flow Measurement

SITRANS F VA

SITRANS FVA250 variable area meter

Selection and ordering data Order code

Other types of liquid and gas measurement

Please add "-Z" to Article No. and specify Order code.

Marking of name plate

Name plate in English

B11

Certificates

Certificate of compliance EN 10204-2.1

C10

Factory inspection certificate EN 10204-2.2

C11

Acceptance test certificate 3.1 according to EN 10204

C12

Dye penetration test on pressure bearing weldings

C13

X-ray test of pressure bearing weldings

C14

Pressure test with acceptance test certificate 3.1 according to EN 10204

C15

PMI (positive material identification) test of pressure bearing metal parts

C16

Float damping

With float damping

D01

Specification of medium process data (specify in plain text)

Specification always required for each order:

Medium

Operating pressure

Operating temperature

Density (only for customer-specified medium)

Viscosity (only for customer-specified medium)

Measuring range

Y01

TAG plate

TAG plate in stainless steel (add plain text)

Y17

Cleaning to company standard

Cleaning Class 2, with identification free of oil and grease

K46

Cleaning Class 1, with identification free of oil, grease and silicon

K48

Approvals

With ATEX approval

M51

Special version (specify in plain text)

Y99

Note:

For possible combinations of nominal diameters and flow tube, see table on page 3/453

Operating instructions

Description	Article-No.
SITRANS FVA250	
• English	A5E03821131
• German	A5E32108136

This device is shipped with a Quick Start guide and a CD containing further SITRANS F US literature.

All literature is available to download for free, in a range of languages, at www.siemens.com/processinstrumentation/documentation