

## Level Measurement

### Continuous level measurement - Ultrasonic controllers

#### HydroRanger 200 HMI

##### Overview



HydroRanger 200 HMI is an ultrasonic level controller for up to six pumps and provides control, differential control, and open channel flow monitoring.

##### Benefits

- Easy to use HMI display with local four-button programming, menu-driven parameters, and Wizard support for key applications
- English, German, French, Spanish, Chinese, Italian, Portuguese, and Russian texts on the HMI
- Removable terminal blocks for ease of wiring
- Monitors wet wells, weirs, and flumes
- Communication using built-in Modbus RTU via RS 485 and SIMATIC PDM configuration software
- Compatible with SmartLinx system: PROFIBUS DP (cyclic access of process values only) and DeviceNET
- Single or dual point level monitoring
- 6 relays
- Auto False-Echo Suppression for fixed obstruction avoidance
- Anti-grease ring/tide mark buildup
- Differential amplifier transceiver for common mode noise rejection and improved signal-to-noise ratio
- Wall and panel mounting options

##### Application

For water authorities, municipal water, and wastewater plants, HydroRanger 200 HMI is an economical, low-maintenance solution delivering control efficiency and productivity needed to meet today's exacting standards. It offers single point monitoring with all models, and optional dual-point monitoring with 6 relay model. As well, it has digital communications with built-in Modbus RTU via RS 485.

The standard 6 relay HydroRanger 200 HMI will monitor open channel flow and features advanced relay alarming and pump control functions as well as volume conversion. It is compatible with SIMATIC PDM, allowing for PC configuration and set-up. Sonic Intelligence advanced echo-processing software provides increased reading reliability.

HydroRanger 200 HMI uses proven continuous ultrasonic echo ranging technology to monitor water and wastewater of any consistency up to 15 m (50 ft) in depth. Achievable resolution is 0.1 % with accuracy to 0.25 % of range. Unlike contacting devices, HydroRanger 200 HMI is immune to problems caused by suspended solids, harsh corrosives, grease or silt in the effluent, reducing downtime.

- Key Applications: wet wells, flumes/weirs, bar screen control

##### Technical specifications

<b>Mode of Operation</b>	
Measuring principle	Ultrasonic level measurement
Measuring range	0.3 ... 15 m (1 ... 50 ft), transducer dependent
Measuring points	1 or 2
<b>Input</b>	
Analog	0 ... 20 mA or 4 ... 20 mA, from alternate device, scalable (6 relay model)
Discrete	10 ... 50 V DC switching level Logical 0 ≤ 0.5 V DC Logical 1 = 10 ... 50 V DC max. 3 mA
<b>Output</b>	
EchoMax transducer	44 kHz
Ultrasonic transducer	Compatible transducers: ST-H and EchoMax series XPS-10, XPS-15/15F, and XRS-5
Relays <sup>1)</sup>	Rating 5 A at 250 V AC, non-inductive 4 SPST Form A/2 SPDT Form
mA output	0 ... 20 mA or 4 ... 20 mA
• Max. load	750 Ω, isolated
• Resolution	0.1 % of range
<b>Accuracy</b>	
Error in measurement	0.25 % of range or 6 mm (0.24 inch), whichever is greater
Resolution	0.1 % of measuring range or 2 mm (0.08 inch), whichever is greater <sup>2)</sup>
Temperature compensation	<ul style="list-style-type: none"> <li>• -50 ... +150 °C (-58 ... +302 °F)</li> <li>• Integral temperature sensor in transducer</li> <li>• External TS-3 temperature sensor (optional)</li> <li>• Programmable fixed temperature values</li> </ul>
<b>Rated operating conditions</b>	
Installation conditions	
• Location	Indoor / outdoor
• Installation category	II
• Pollution degree	4
Ambient conditions	
• Ambient temperature (enclosure)	-20 ... +50 °C (-4 ... +122 °F)
<b>Design</b>	
Weight	
• Wall mount	1.22 kg (2.68 lb)
• Panel mount	1.35 kg (2.97 lb)
Material (enclosure)	Polycarbonate
Degree of protection (enclosure)	
• Wall mount	IP65/Type 4X/NEMA 4X
• Panel mount	IP54/Type 3/NEMA 3
Cable	
• Transducer and mA output signal	2-core copper conductor, twisted, shielded, 300 Vrms, 0.82 mm <sup>2</sup> (18 AWG), Belden 8760 or equivalent is acceptable
• Max. separation between transducer and transceiver	365 m (1 200 ft)
<b>Displays and controls</b>	
	60 x 40 mm (2.36 x 1.57 inch) LCD 240 x 160 pixels resolution
<b>Power supply<sup>3)</sup></b>	
AC version	100 ... 230 V AC ± 15 %, 50/60 Hz, 36 VA (17 W)
DC version	12 ... 30 V DC (20 W)

<b>Certificates and approvals</b>	<ul style="list-style-type: none"> <li>• CE, RCM<sup>4)</sup></li> <li>• FM, CSA<sub>US/IC</sub>, UL listed</li> <li>• CSA<sub>US/IC</sub> Class I, Div. 2, Groups A, B, C and D, Class II, Div. 2, Groups F and G, Class III (wall mount only)</li> <li>• MCERTS Class 2 approved for Open Channel Flow</li> </ul>
<b>Communication</b>	<ul style="list-style-type: none"> <li>• RS 232 with Modbus RTU or ASCII via RJ-11 connector</li> <li>• RS 485 with Modbus RTU or ASCII via terminal blocks</li> <li>• Optional: SmartLinX cards for <ul style="list-style-type: none"> <li>- PROFIBUS DPV1 (cyclic access of process values only)</li> <li>- DeviceNet</li> </ul> </li> </ul>

- 1) All relays certified for use with equipment that fails in a state at or under the rated maximums of the relays.
- 2) Program range is defined as the empty distance to the face of the transducer plus any range extension.
- 3) Maximum power consumption is listed
- 4) EMC performance available upon request

Selection and Ordering data	Article No.
<b>Siemens HydroRanger 200 HMI</b> Ultrasonic level controller for up to six pumps that provides control, differential control and open channel flow monitoring.  ↗ Click on the Article No. for the online configuration in the PIA Life Cycle Portal.	<b>7ML5034-</b> 
<b>Mounting, enclosure design</b> 4 button HMI, Wall mount, standard enclosure 4 button HMI, Wall mount, 4 entries, 4 M20 cable glands included 4 button HMI, Panel Mount	4 5 6
<b>Input voltage</b> 100 ... 230 V AC 12 ... 30 V DC	A B
<b>Number of measurement points</b> Single point model, 6 relays Dual point model, 6 relays	A B
<b>Communication (SmartLinX)</b> Without module SmartLinX PROFIBUS DP V0 module SmartLinX DeviceNet module SmartLinX PROFIBUS DP V1 module See SmartLinX product page 4/337 for more information	0 2 3 4
<b>Approvals</b> General Purpose CE, FM, CSA <sub>US/IC</sub> , UL listed, RCM CSA Class I, Div. 2, Groups A, B, C, and D; Class II, Div. 2, Groups F and G; Class III <sup>1)</sup>	1 2

<sup>1)</sup> Available with Mounting/Enclosure design options 4 or 5

Selection and Ordering data	Order code
<b>Further designs</b>  Please add "-Z" to Article No. and specify Order code(s).  Stainless steel tag [69 x 50 mm (2.71 x 1.97 inch)]: Measuring-point number/identification (max. 27 characters), specify in plain text	<b>Y15</b>  <b>C11</b>
<b>Operating Instructions</b>  English  German  Note: The Operating Instructions should be ordered as a separate item on the order.  All literature is available to download for free, in a range of languages, at <a href="http://www.siemens.com/processinstrumentation/documentation">http://www.siemens.com/processinstrumentation/documentation</a>	Article No. <b>A5E36281317</b> <b>A5E36281391</b>
<b>Other Operating Instructions</b>  SmartLinX PROFIBUS DPV1, English SmartLinX PROFIBUS DPV1, German  Note: The appropriate SmartLinX Operating Instructions should be ordered as a separate line on the order.  All literature is available to download for free, in a range of languages, at <a href="http://www.siemens.com/processinstrumentation/documentation">http://www.siemens.com/processinstrumentation/documentation</a>	<b>A5E36197302</b> <b>A5E36197305</b>
<b>Accessories</b>  Tag, stainless steel, 12 x 45 mm (0.47 x 1.77 inch), one text line, suitable for enclosure  Sunshield kit, 304 stainless steel USB to RS 232 adapter RS 232 to RJ11 COMMS adapter SITRANS RD100, loop powered display - see Chapter 7 SITRANS RD200, universal input display with Modbus conversion - see Chapter 7 SITRANS RD300, dual line display with totalizer and linearization curve and Modbus conversion - see Chapter 7 SITRANS RD500 web, universal remote monitoring solution for instrumentation - see Chapter 7	<b>7ML1930-1AC</b>  <b>7ML1930-1GA</b> <b>7ML1930-6AK</b> <b>7ML1830-1MC</b> <b>7ML5741-...</b>  <b>7ML5740-...</b> <b>7ML5744-...</b>  <b>7ML5750-...</b>
<b>Spare parts</b>  Power Supply Board (100 ... 230 V AC) Power Supply Board (12 ... 30 V DC) Removable terminal blocks Spare lid with HMI, MultiRanger 200 HMI/ HydroRanger 200 HMI, wall Spare lid with HMI, MultiRanger 200 HMI/ HydroRanger 200 HMI, panel SmartLinX PROFIBUS DP V1 module	<b>7ML1830-1MD</b> <b>7ML1830-1ME</b> <b>A5E38824197</b> <b>A5E35778738</b>  <b>A5E35778740</b> <b>A5E35778741</b>

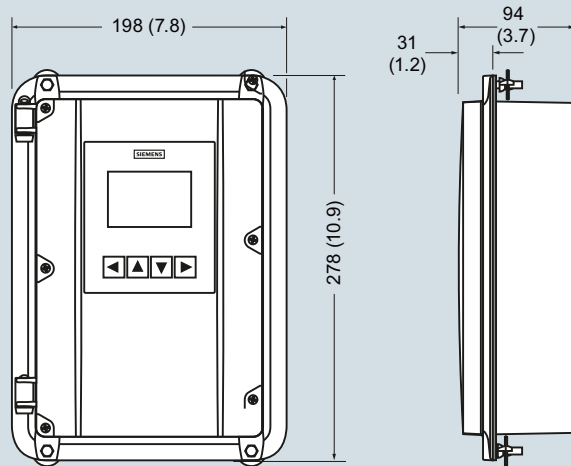
## Level Measurement

Continuous level measurement - Ultrasonic controllers

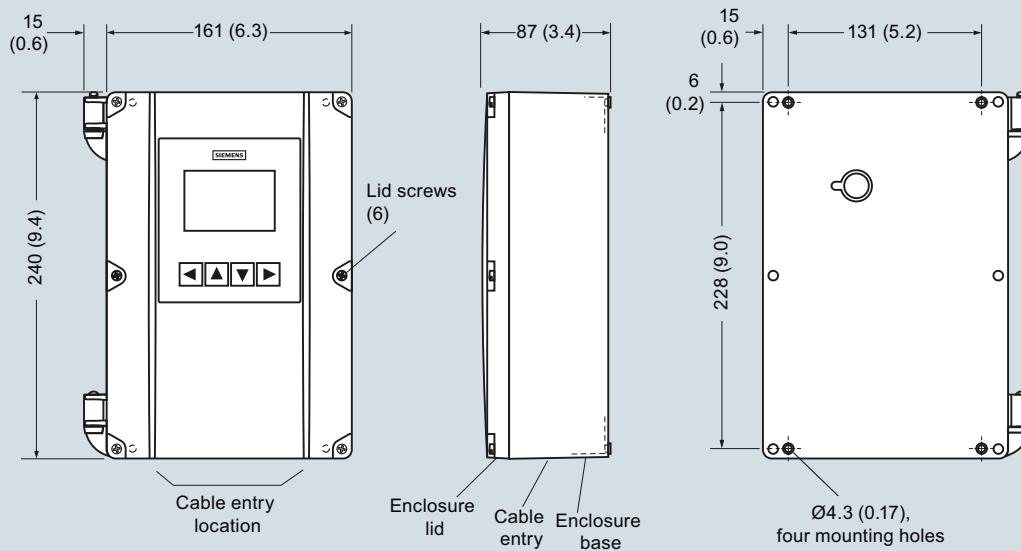
### HydroRanger 200 HMI

#### Dimensional drawings

##### Panel mount dimensions

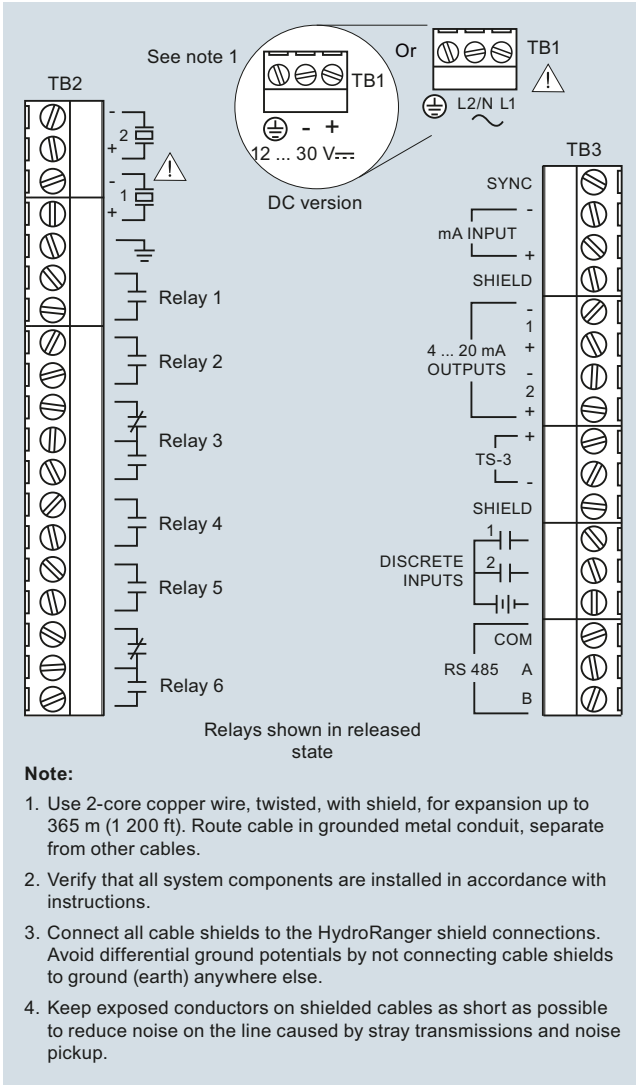


##### Wall mount dimensions



HydroRanger 200 HMI, dimensions in mm (inch)

## Schematics



HydroRanger 200 HMI connections