

Level Measurement

Continuous level measurement – Ultrasonic transmitters

The Probe

Overview



The Probe is a short-range integrated ultrasonic level transmitter, ideal for liquids and slurries in open or closed vessels.

Benefits

- Easy to install, program and maintain
- Accurate and reliable
- Sanitary models available
- Patented Sonic Intelligence echo processing
- Integral temperature compensation

Application

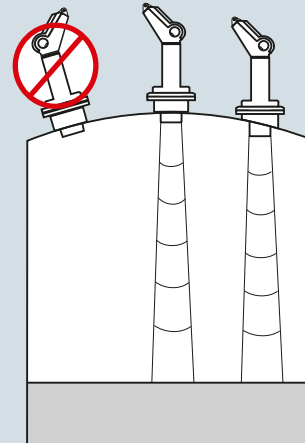
The transducer is available in PVDF copolymer, making the device suitable for use in a wide variety of applications. The Probe is easy to install and maintain, and can be quickly removed for cleaning as required by the food, beverage and pharmaceutical industries.

The reliability of the level data is based on the Sonic Intelligence echo processing algorithms. A filter discriminates between the true echo and false echoes from acoustic or electrical noises and agitator blades in motion. The ultrasonic pulse propagation time to the material and back is temperature-compensated and converted into distance for display, analog output and relay actuation.

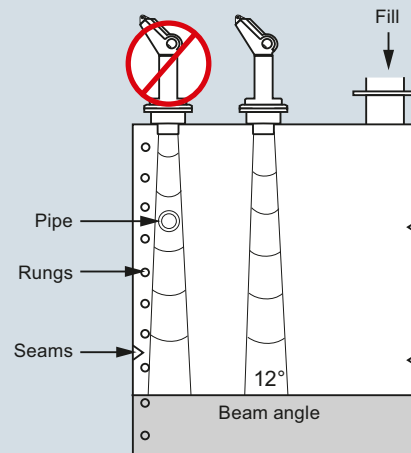
- Key Applications: chemical storage vessels, filter beds, mud pits, liquid storage vessels, food applications

Configuration

Parabolic mounting



Flat mounting and beam angle



The Probe mounting

Level Measurement

Continuous level measurement – Ultrasonic transmitters


The Probe

Technical specifications

	Three-wire version	Two-wire version (standard)
Mode of operation		
Measuring principle	Ultrasonic level measurement	Ultrasonic level measurement
Input		
Measuring range	0.25 ... 5 m (0.8 ... 16.4 ft)	0.25 ... 5 m (0.8 ... 16.4 ft)
Frequency	54 kHz	54 kHz
Output		
• mA	4 ... 20 mA	4 ... 20 mA
- Span	Proportional/ inversely proportional	Proportional/ inversely proportional
- Max. load	750 Ω at 24 V DC	600 Ω in the loop at 24 V DC
• Relay	For level alarm or fault	No
Power supply		
Supply voltage	18 ... 30 V DC, max. 0.2 A	12 ... 28 V DC, 0.1 A surge
Max. power consumption	5 W (200 mA at 24 V DC)	0.75 W (25 mA at 24 V DC)
Certificates and approvals		
	CE, C-TICK, CSA _{US/C} , FM	CE, C-TICK, CSA _{US/C}
Accuracy		
• Error in measurement	0.25 % of measuring range (in air)	
• Resolution	3 mm (0.125 inch)	
• Temperature compensation	Built in	
• Echo processing	Sonic Intelligence	
Rated operation conditions		
• Beam angle	12°	
• Ambient temperature		
- Standard	-40 ... +60 °C (-40 ... +140 °F)	
- Metallic mounting	-20 ... +60 °C (-4 ... +140 °F)	
• Max. static operating pressure	Normal atmospheric pressure	
• Degree of protection	IP65	
Design		
• Weight		
- Without flange adapter	1.5 kg (3.3 lb)	
- With flange adapter	1.7 kg (3.7 lb)	
• Material		
- Electronics enclosure	PVC	
- Transducer	PVDF copolymer	
• Degree of protection	IP65	
• Process connection	2" NPT [(Taper), ANSI/ASME B1.20.1] R 2" [(BSPT), EN 10226] or G 2" [(BSPP), EN ISO 228-1]	
• Flange adapter	3" Universal, (fits DN 65, PN 10 and 3" ASME) 4" sanitary	
• Cable inlet	2 inlets for PG 13.5 or ½" NPT cable glands	


Selection and Ordering data

	Article No.
The Probe Short-range integrated ultrasonic level transmitter, ideal for liquids and slurries in open or closed vessels	7ML1201-00
Measuring range 5 m (16.40 ft)	1
Transducer/Process connection PVDF copolymer, 2" NPT [(Taper), ANSI/ASME B1.20.1] PVDF copolymer, R 2" [(BSPT), EN 10226] PVDF copolymer, G 2" [(BSPP), EN ISO 228-1] PVDF copolymer, 4" Sanitary mounting	E F G J
Model/Approval 3 Wire, 24 V DC, CE, C-TICK, CSA, FM 2 Wire, 24 V DC, CE, C-TICK, CSA	E F

• We can offer shorter delivery times for configurations designated with the Quick Ship Symbol . For details see page 9/5 in the appendix.

Selection and Ordering data

	Order code
Further designs Please add "-Z" to Article No. and specify Order code(s).	
Acrylic coated, stainless steel tag [13 x 45 mm (0.5 x 1.75 inch)]: Measuring-point number/identification (max. 20 characters) specify in plain text	Y17
Additional Operating Instructions 3 Wire, 24 V model, Multi-language manual 2 Wire model, Multi-language manual	7ML1998-5GD62 A5E32243983
Accessories Universal Box Bracket Mounting kit Sanitary 4" mounting clamp 3" ASME, DN 65 PN 10, JIS 10K 3B ETFE Flange adapter for 2" NPT 3" ASME, DN 65 PN 10, JIS 10K 3B ETFE Flange adapter for 2" BSPT 2" NPT locknut, plastic 2" BSPT locknut, plastic Plastic M20 cable gland with metal locknut SITRANS RD100 Remote display - see Chapter 7 SITRANS RD200 Remote display - see Chapter 7 SITRANS RD500 web, datalogging, alarming, ethernet, and modem support for instrumentation - see Chapter 7	7ML1830-1BK 7ML1830-1BR 7ML1830-1BT 7ML1830-1BU 7ML1830-1DT 7ML1830-1DQ 7ML1930-1DB 7ML5750-1AA00-0

• We can offer shorter delivery times for configurations designated with the Quick Ship Symbol . For details see page 9/5 in the appendix.

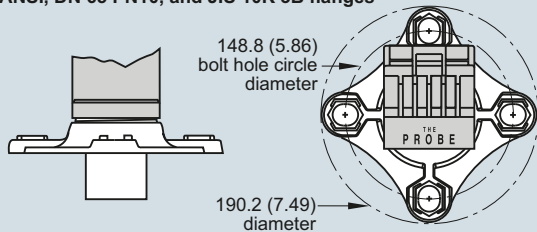
Level Measurement

Continuous level measurement – Ultrasonic transmitters

The Probe

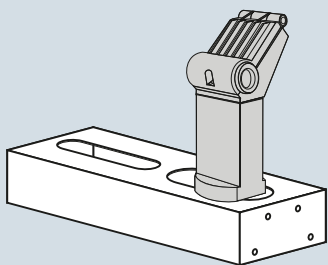
Options

Flange adapter for mating 2" NPT or 2" BSP process connections to 3" ANSI, DN 65 PN10, and JIS 10K 3B flanges



The Probe Optional Flange Adapter, dimensions in mm (inch)

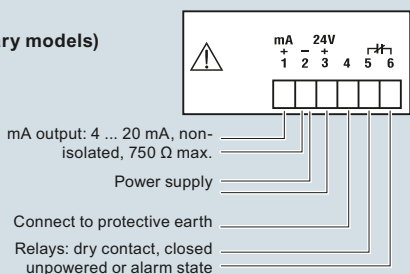
The Probe with FMS 200 mounting bracket



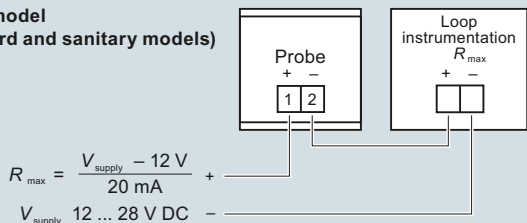
The Probe with Optional Mounting Bracket

Schematics

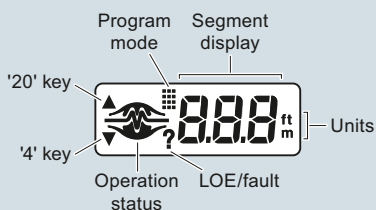
3 wire model (standard and sanitary models)



2 wire model (standard and sanitary models)



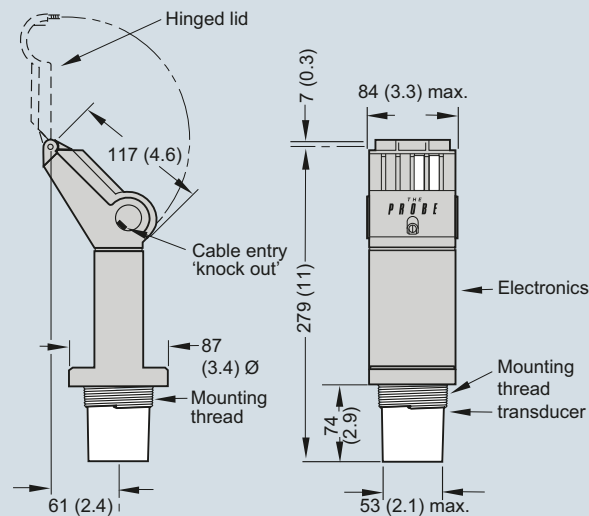
Display



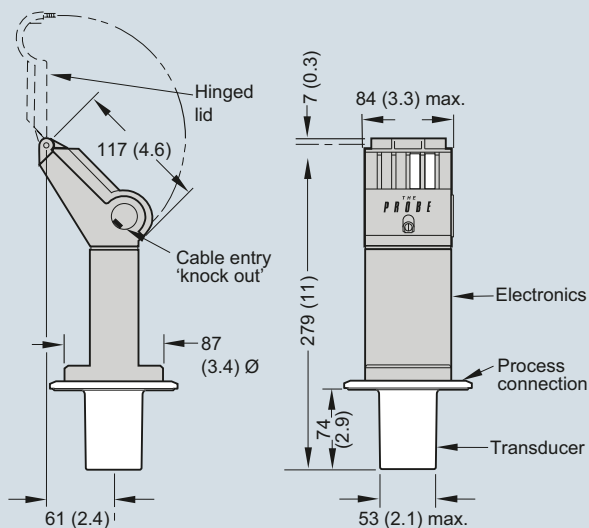
The Probe connections

Dimensional drawings

Standard model



Sanitary model



The Probe, dimensions in mm (inch)